

Hyva



20 Hyva 113 3/ . 350 .

BRITE

BRITE:

?
?
?
?
?

3 4

>

Hyva.

, Hyva

?

?

-

?

?

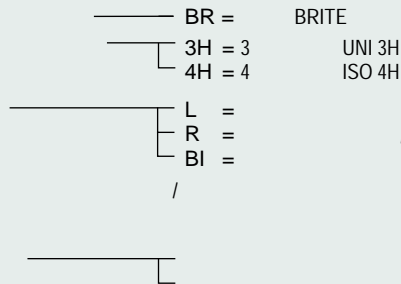
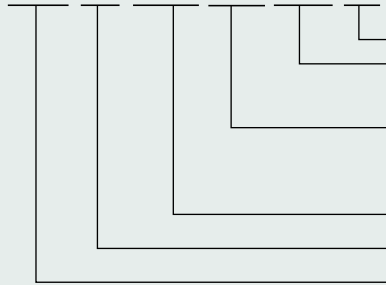
Parker, Sunfab .

?

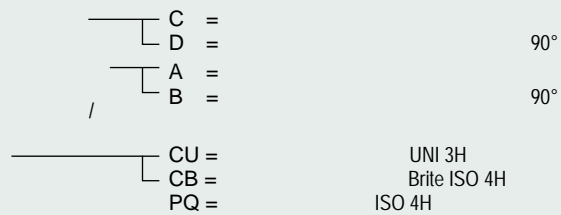
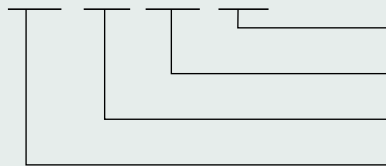
?

()

Gear-pump - 073L - BI - 4H - BR



CB - 061 - A - D

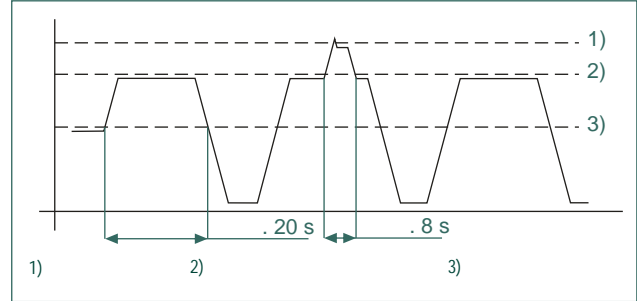


?
?
?

20

(max 8)

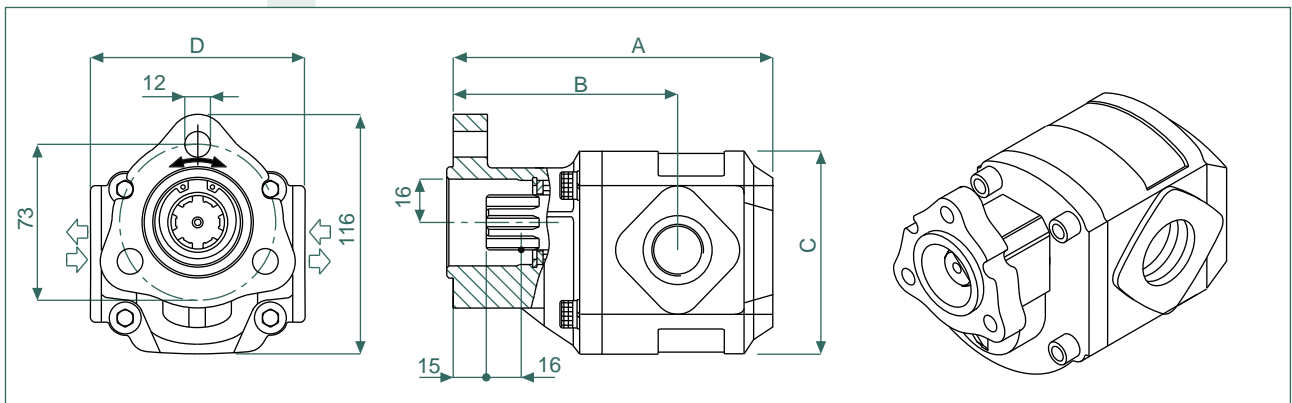
(RF)



(MSPS)

UHI 3H:

145 63 028	020L-BI-3H	20	³	5.3	CU020	G $\frac{1}{2}$ "	1 $\frac{1}{4}$ "	G $\frac{1}{2}$ "	$\frac{3}{4}$ "	2000	280
145 63 033	025L-BI-3H	25	³	5.7	CU025	G $\frac{3}{4}$ "	1 $\frac{1}{4}$ "	G $\frac{1}{2}$ "	$\frac{3}{4}$ "	2000	240
145 63 043	032L-BI-3H	32	³	6.0	CU032	G $\frac{3}{4}$ "	1 $\frac{1}{4}$ "	G $\frac{3}{4}$ "	$\frac{3}{4}$ "	1800	210

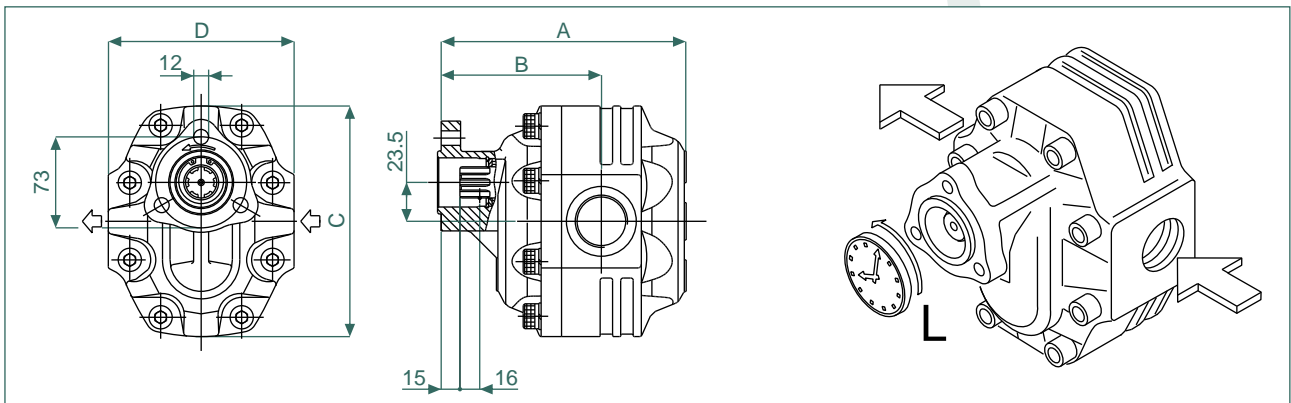


		A	B	C	D
145 63 028	020L-BI-3H	157	119	102	100
145 63 033	025L-BI-3H	160	112	102	100
145 63 043	032L-BI-3H	175	122	102	100



UNI 3H:

145 63 170	27L-L-3H	26	³	9,8	CU127	G $\frac{3}{4}$ "	1 $\frac{3}{4}$ "	G $\frac{3}{4}$ "	$\frac{3}{4}$ "	3000	315
145 63 180	27L-R-3H	26	³	9,8	CU227	G $\frac{3}{4}$ "	1 $\frac{3}{4}$ "	G $\frac{3}{4}$ "	$\frac{3}{4}$ "	3000	315

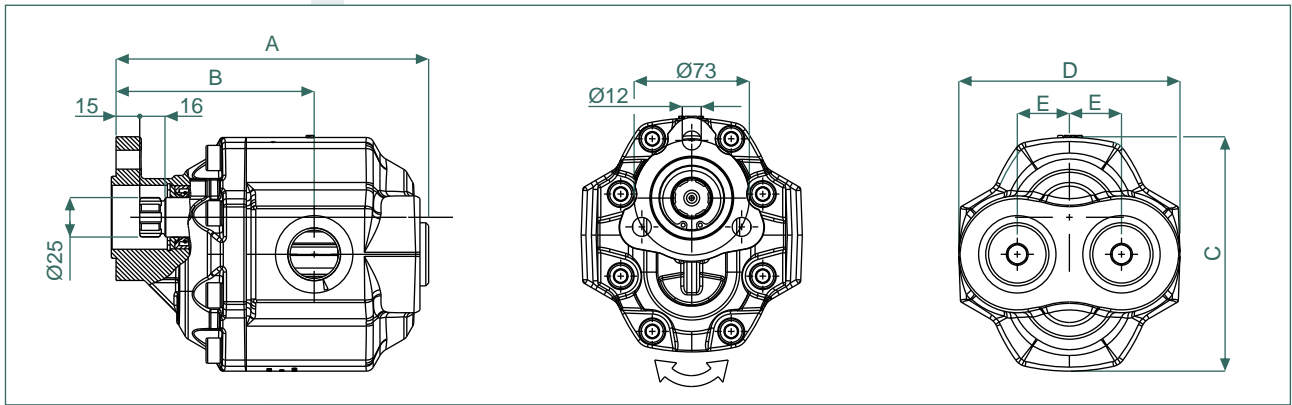


		A	B	C	D
145 63 170	27L-L-3H	157	107	148	120
145 63 180	27L-R-3H	157	107	148	120



Uni 3H:

145 63 034	035L-BI-3H	34	3	12	CU034	G $\frac{3}{4}$ "	1 $\frac{1}{4}$ "	G $\frac{3}{4}$ "	$\frac{3}{4}$ "	2500	250
145 63 052	052L-BI-3H	51	3	13	CU052	G1"	1 $\frac{3}{4}$ "	G1"	1"	2500	275
145 63 061	061L-BI-3H	61	3	13,5	CU061	G1"	1 $\frac{3}{4}$ "	G1"	1"	2500	250
145 63 082	082L-BI-3H	81	3	15,5	CU082	G1"	1 $\frac{3}{4}$ "	G1"	1"	2500	225

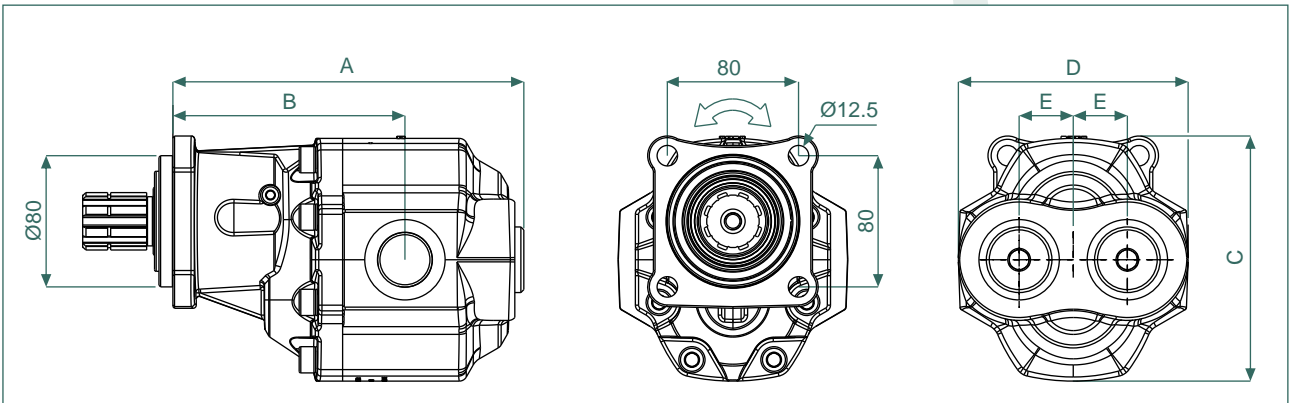


		A	B	C	D	E
145 63 034	035L-BI-3H	168	110	149	128	30
145 63 052	052L-BI-3H	179	112	149	128	30
145 63 061	061L-BI-3H	185	118	149	128	30
145 63 082	082L-BI-3H	198	126	149	140	30



ISO 4H:

145 62 005	035L-BI-4H-BR	35	³	12.6	CB035	G $\frac{3}{4}$ "	1 $\frac{1}{4}$ "	G $\frac{3}{4}$ "	$\frac{3}{4}$ "	2500	250
145 62 010	052L-BI-4H-BR	52	³	13.5	CB052	G1"	1 $\frac{3}{4}$ "	G1"	$\frac{3}{4}$ "	2500	275
145 62 015	061L-BI-4H-BR	61	³	14.1	CB061	G1"	1 $\frac{3}{4}$ "	G1"	$\frac{3}{4}$ "	2500	250
145 62 020	073L-BI-4H-BR	73	³	15.1	CB073	G1"	1 $\frac{3}{4}$ "	G1"	1"	2500	225
145 62 025	082L-BI-4H-BR	82	³	16.1	CB082	G1"	1 $\frac{3}{4}$ "	G1"	1"	2500	225
145 62 030	092L-BI-4H-BR	92	³	19.4	CB092	G1 $\frac{1}{4}$ "	1 $\frac{3}{4}$ "	G1 $\frac{1}{4}$ "	1"	2250	265
145 62 035	113L-BI-4H-BR	113	³	20.5	CB113	G1 $\frac{1}{2}$ "	1 $\frac{3}{4}$ "	G1 $\frac{1}{2}$ "	1"	2250	225

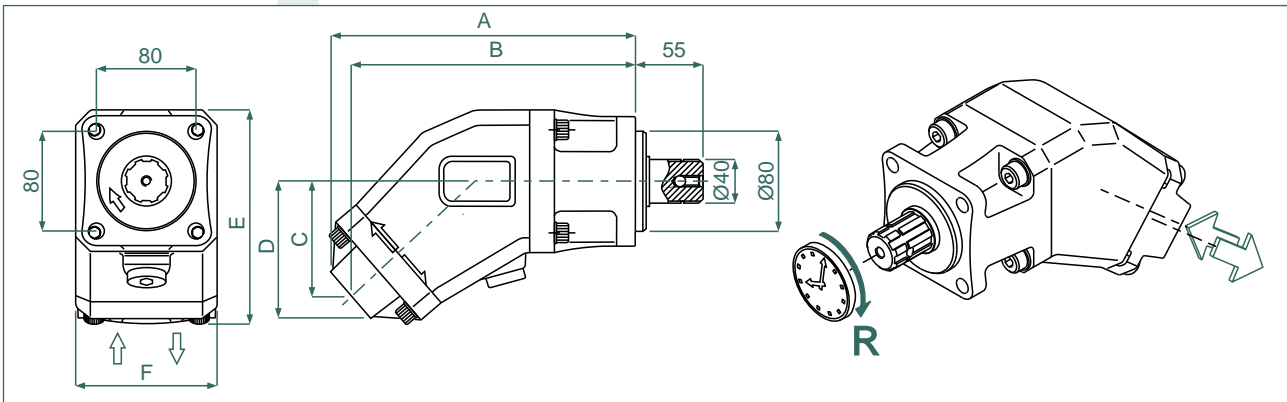


		A	B	C	D	E
145 62 005	035L-BI-4H-BR	189	131	149	128	30
145 62 010	052L-BI-4H-BR	200	133	149	128	30
145 62 015	061L-BI-4H-BR	206	139	149	128	30
145 62 020	073L-BI-4H-BR	214	142	149	140	33
145 62 025	082L-BI-4H-BR	218	147	149	140	33
145 62 030	092L-BI-4H-BR	236	156	166	141	33
145 62 035	113L-BI-4H-BR	246	166	166	141	33

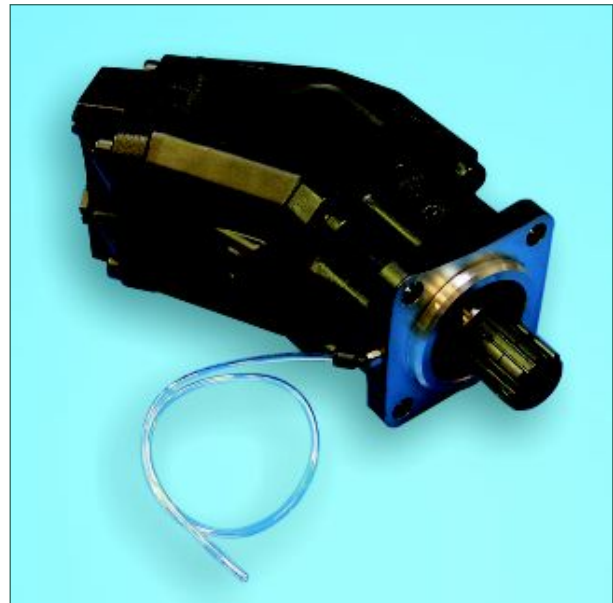


ISO 4H:

Part No.	Model	Stroke	Port 1	Port 2	Port 3	Port 4	Port 5	Port 6	Port 7	Port 8	Port 9	Port 10
145 64 600	040L-R-4H	40	3	12	PQ440	G1"	1 3/4"	G 3/4"	3/4"	2500/1850	350	
145 64 605	040L-L-4H	40	3	12	Pq441	G1"	1 3/4"	G 3/4"	3/4"	2500/1850	350	
145 64 610	050L-R-4H	50	3	12	PQ450	G1"	1 3/4"	G 3/4"	3/4"	2400/1700	350	
145 64 615	050L-L-4H	50	3	12	PQ451	G1"	1 3/4"	G 3/4"	3/4"	2400/1700	350	
145 64 620	063L-R-4H	63	3	12	PQ463	G1"	1 3/4"	G 3/4"	3/4"	2200/1600	350	
145 64 625	063L-L-4H	63	3	12	PQ464	G1"	1 3/4"	G 3/4"	3/4"	2200/1600	350	
145 64 630	080L-R-4H	80	3	12	PQ480	G1"	1 3/4"	G 3/4"	1"	2000/1300	315	
145 64 635	080L-L-4H	80	3	12	PQ481	G1"	1 3/4"	G 3/4"	1"	2000/1300	315	
145 64 640	080L-HP-R-4H	80	3	16	PQ482	G1 1/4"	1 3/4"	G1"	1"	2200/1300	350	
145 64 645	080L-HP-L-4H	110	3	16	PQ483	G1 1/4"	1 3/4"	G1"	1"	2200/1300	350	
145 64 700	110L-HP-R-4H	110	3	17	PQ484	G1 1/4"	2"	G1"	1"	2000/1300	350	
145 64 705	110L-HP-L-4H	110	3	17	PQ485	G1 1/4"	2"	G1"	1"	2000/1300	350	



Part No.	Model	A	B	C	D	E	F
145 64 600	040L-R-4H	244	228	91	110	173	116
145 64 605	040L-L-4H	244	228	91	110	173	116
145 64 610	050L-R-4H	244	228	91	110	173	116
145 64 615	050L-L-4H	244	228	91	110	173	116
145 64 620	063L-R-4H	244	228	91	110	173	116
145 64 625	063L-L-4H	244	228	91	110	173	116
145 64 630	080L-R-4H	244	228	91	110	173	116
145 64 635	080L-L-4H	244	228	91	110	173	116
145 64 640	080L-HP-R-4H	269	251	108	129	198	127
145 64 645	080L-HP-L-4H	269	251	108	129	198	127
145 64 700	110L-HP-R-4H	273	251	108	129	198	127
145 64 705	110L-HP-L-4H	273	251	108	129	198	127





020 50 010 H	UNI 3H-27	BRITE
020 90 101	UNI 3H-20, 25, 32	

146 24 850	ISO 4H
------------	--------



020 50 411 H	3H - 4H	
020 85 011	3H - 4H	- 1C
020 85 012	3H - 4H	- 2C

020 50 010

H



020 50 370 H

3H-4H



020 50 407

DIN 00



145 90 510
145 90 615
145 90 650

S32/36 x F115,9/4-70
S32/36 x F97/4-70
F100/6 x F100/6-70

Hyva,

Hyva.

