



Hyva

Hyva

10-

25-

98,7%.

, Hyva

(

90°).

Hyva

(SM)

(TM).

(RM)

(CM),

Hyva

Hyva

1½" BSPOT(),

1½" BSPIT(),

¾" BSPIT.

Hyva

(SM)

SM
SM

12
PT,

205

Hyva

L210.

90°.

1¼"

(14799175),

(CM)

CM

18 117

(TM)

TM

85

RM

65 213

SM(ALU),

119 205

SM

PT,

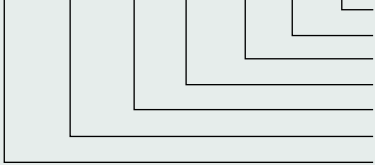
L210.

90°.

1¼"

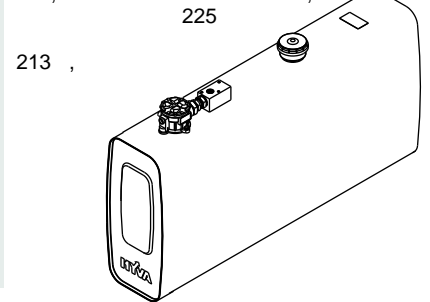
(14799175),

Oil tank SM - 210L/171L - AL - MP - RF

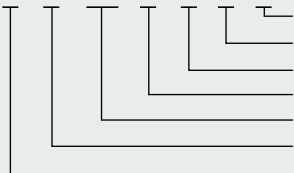


SM =
CM =
RM =
TM =

RM-252L/213L-MP-RF

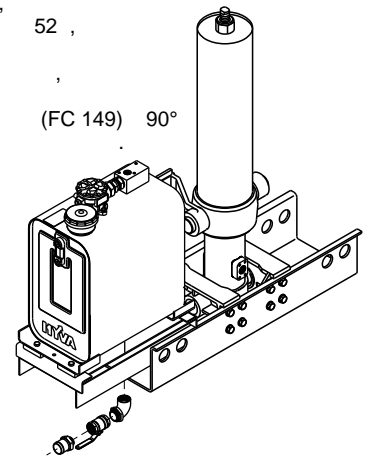


T C 171 M F 4 C



C = 90°
D = 205
2 = 287
3 = 368
4 =
S =
SA =
C =
R =
T =

DC052MF3D



DS012M -

12

								*
	1x		1x	2x	2x	2x	2x	1x 1x
14017205		SM-025L/012L-MP	-	-	-	-	-	-

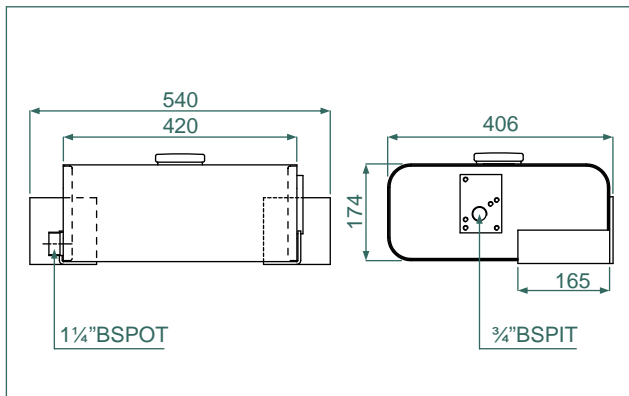
*)

J003-01 (

L.P.20 -1500-00-

01).

DME DMM.



*)
13
3/4" BSPIT
1 1/4" BSPOT
(? ? ?)
400x174x420

TS119M -

119

								**)
	1x		1x	1x	1x	1x	1x	1x
TS119M								-
TS119MC	14017100	SM-147L/119L-MP	14020106	-	-	-	-	SKS2428
TS119MD				-	-	-	-	SKR2428

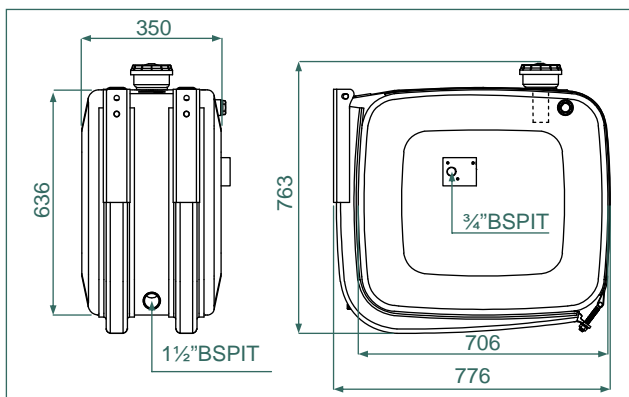
*)

(=3.2).

**)

1 1/4"

1"



*)
49
3/4" BSPIT
1 1/2" BSPIT
(? ? ?)
706x636x350

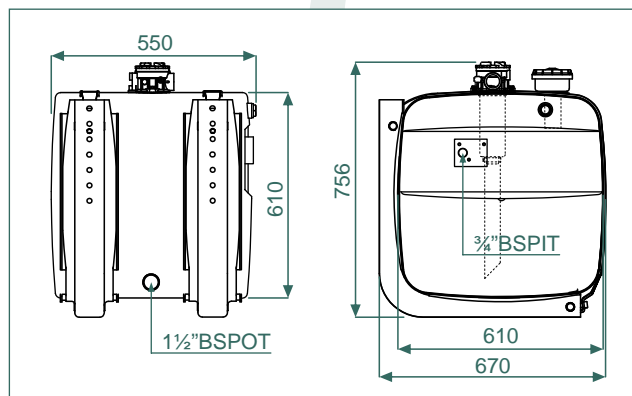
DS131MF - 131 -

	1x		1x	2x	2x	2x	2x	1x	1x
DS131MF								-	-
DS131MFC	14017023	SM-175L/131L-MP-RF	08102116	14020130	14020140	14020150		NK24R28K	NK2016R
DS131MFD								NK24K28K	NK2016H

*)
**)

1 3/4"

1"



*)
54
3/4" BSPIT
1 1/2" BSPOT
(? ? ?)
610x610x550

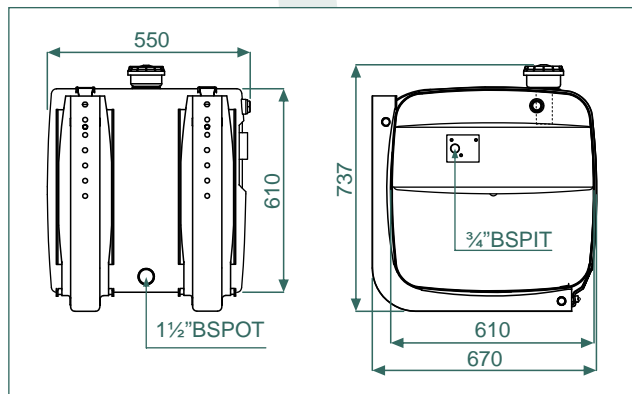
DS131M - 131 -

	1x		1x	2x	2x	2x	2x	1x	1x
DS131M								-	-
DS131MC	14017025	SM-175L/131L-MP	08102116	14020130	14020140	14020150		NK24R28K	-
DS131MD								NK24K28K	-

*)
**)

1 3/4"

1"



*)
51
3/4" BSPIT
1 1/2" BSPOT
(? ? ?)
610x610x550

TS134M -

134

						**)	
	1x		1x	1x	1x	1x	1x
TS134M				-	-	-	-
TS134MF				14780303	-	-	-
TS134MC	14017106	SM-170L/134L-MP-MR	14020106	-	SKS2428	-	-
TS134MD				-	SKR2428	-	-
TS134MFC				14780303	SKS2428	NK2016R	-
TS134MFD				14780303	SKR2428	NK2016R	-

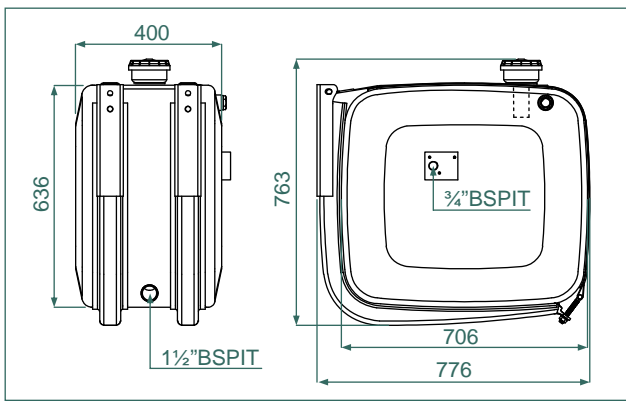
*)

(=3.2)

**)

1 3/4"

1"



*)	
51	
3/4" BSPIT	
1 1/2" BSPIT	
(? ? ?)	
706x636x400	

TS154M -

154

						**)	
	1x		1x	1x	1x	1x	1x
TS154M				-	-	-	-
TS154MF				14780303	-	-	-
TS154MC	14017108	SM-189L/154L-MP-MR	14020106	-	SKS2428	-	-
TS154MD				-	SKR2428	-	-
TS154MFC				14780303	SKS2428	NK2016R	-
TS154MFD				14780303	SKR2428	NK2016R	-

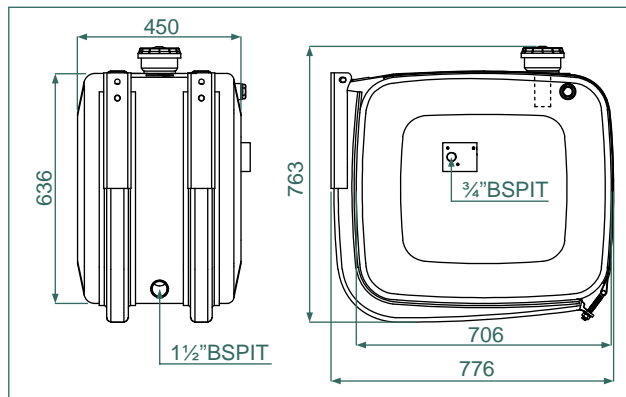
*)

(=3.2)

**)

1 3/4"

1"



*)	
53	
3/4" BSPIT	
1 1/2" BSPIT	
(? ? ?)	
706x636x550	

DSA131M -

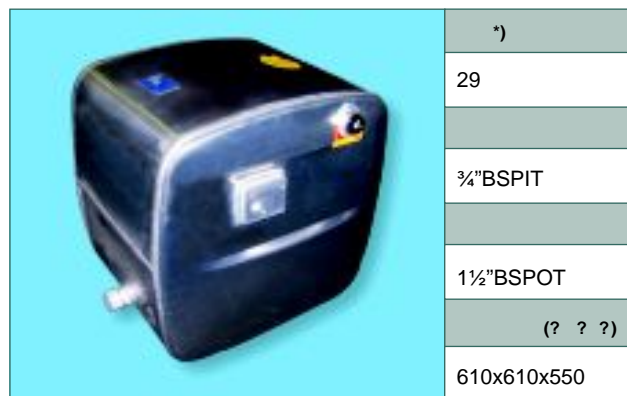
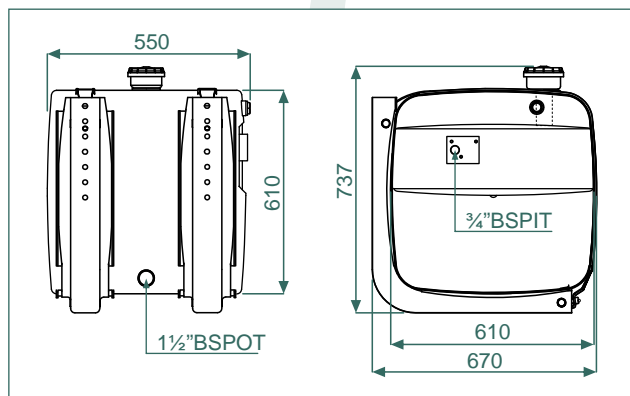
131

	1x		1x	2x	2x	2x	2x	1x	1x	**)
DSA131M								-	-	
DSA131MC	14018025	SM-175L/131L-AL-MP	08102116	14020130	14020140	14020150		NK24R28K	-	
DSA131MD								NK24K28K	-	

*)

**)

1 3/4"



TSA134M -

134

	1x		1x	1x	1x	1x	1x	1x	**)
TSA134M								-	-
TSA134MF						14780303		-	-
TSA134MC	14018126	SM-170L/134L-AL-MP-MR	14020106					SKS2428	-
TSA134MD								SKR2428	-
TSA134MFC						14780303		SKS2428	NK2016R
TSA134MFD						14780303		SKR2428	NK2016R

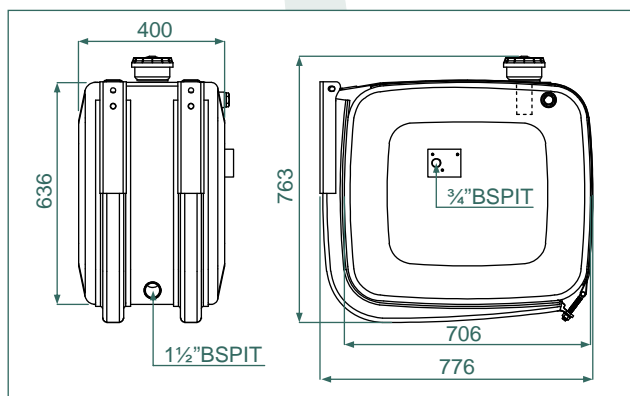
*)

**)

1 3/4"

1"

(=3.2)



TSA154M -

154

	1x		1x	1x	1x	1x	**)
TSA154M				-	-	-	-
TSA154MF				14780303	-	-	-
TSA154MC	14018128	SM-189L/154L-AL-MP-MR	14020106	-	-	SKS2428	-
TSA154MD				-	-	SKR2428	-
TSA154MFC				14780303	-	SKS2428	NK2016R
TSA154MFD				14780303	-	SKR2428	NK2016R

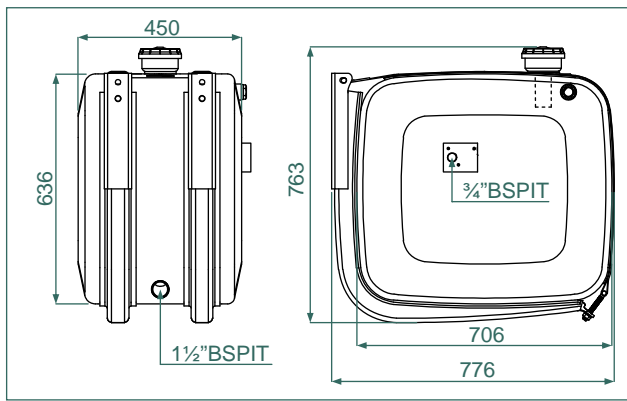
*)

(=3.2)

**)

1 3/4"

1"



TSA171M -

171

	1x		1x	1x	1x	1x	1x	**)
TSA171M				-	-	-	-	-
TSA171MF				14780303	-	-	-	-
TSA171MC	14018130	SM-210L/171L-AL-MP-MR	14020106	-	-	SKS2428	-	-
TSA171MD				-	-	SKR2428	-	-
TSA171MFC				14780303	-	SKS2428	NK2016R	-
TSA171MFD				14780303	-	SKR2428	NK2016R	-

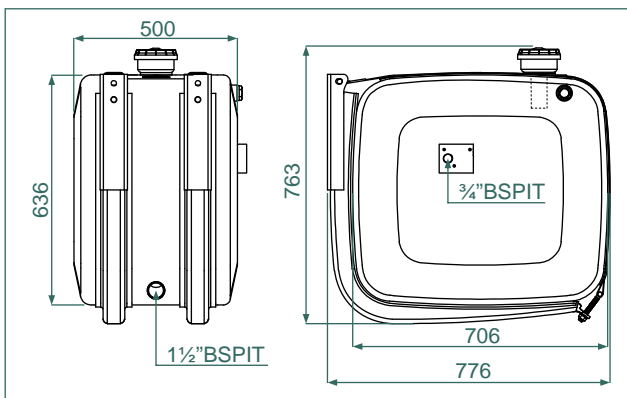
*)

(=3.2)

**)

1 3/4"

1"



TSA205M- 205

						**)	
	1x			1x	1x	1x	1x
TSA205M						-	-
TSA205MF					14780303	-	-
TSA205MC					-	SKS2428	-
TSA205MD	14018132	SM-253L/205L-AL-MP-MR	14020106		-	SKR2428	-
TSA205MFC					14780303	SKS2428	NK2016R
TSA205MFD					14780303	SKR2428	NK2016R

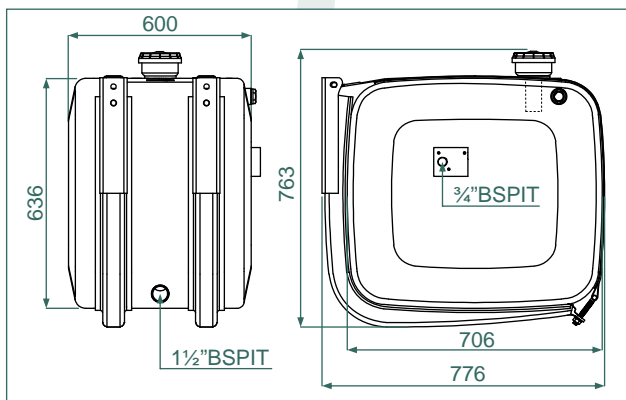
*)

(=3.2)

**)

1 3/4"

1"



()

140 20 130	140 17 023/025 and 140 18 023/025
140 20 140	140 17 023/025 140 18 023/025
140 20 150	140 17 023/025 140 18 023/025



()

140 20 106	706x636 SM
081 02 116	:
140 20 100	706 x 636 (2x)
140 20 118	706 x 636 (1x)
140 20 120	706 x 636 (2x)

SM

147 80 303	SM(MR),	350
------------	---------	-----



TC018M -

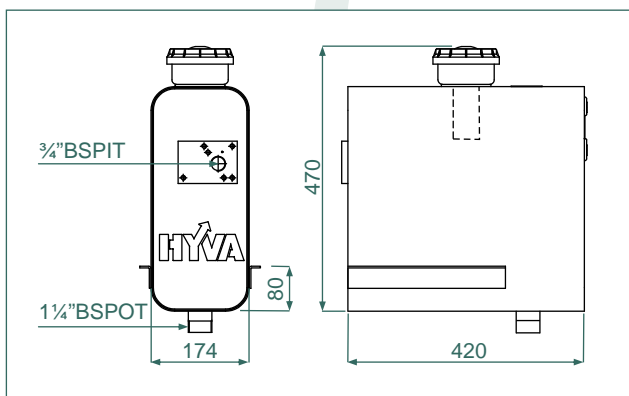
18

	1x		1x	2x	2x	1x	2x	4x	1x
TC018M	14016220	CM-025L/018L-MP	08102116	-	-	-	-	-	-

*)

J003-01 (L.P.20 -1500-00-01).

DME DMM.



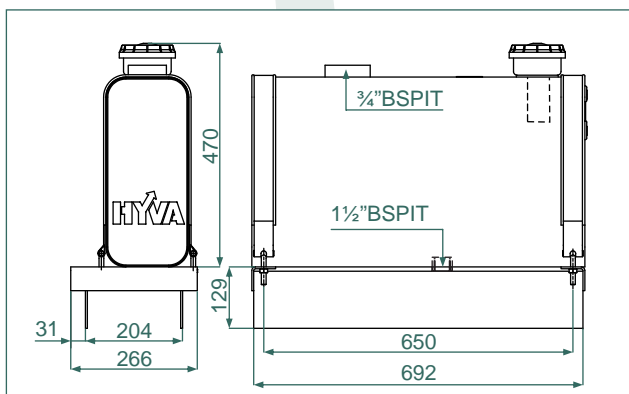
TC031M -

31

	1x		1x	2x	2x	1x	2x	4x	1x
TC031M									
TC031M2C	14016260	CM-045L/031L-MP	08102116	14020050	14020060	14020073	14020070	-	SKS2428
TC031M2D						14020073	14020070	-	SKR2428

*)

**) 1 1/2"



TC042M -

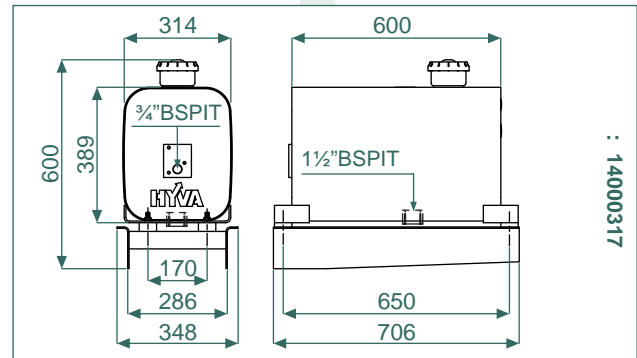
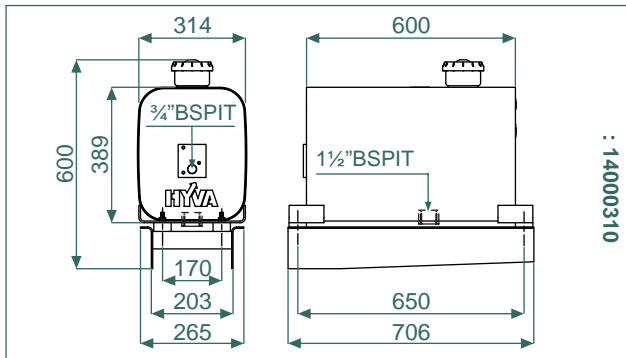
42


	1x		1x	2x	2x	1x	2x	4x	1x
TC042M						-	-	-	-
TC042M2C						14800310	-	08101073	SKS2428
TC042M2D	14016270	CM-063L/042L-MP	08102116	-	-	14800310	-	08101073	SKR2428
TC042M3C						14800317	-	08101073	SKS2428
TC042M3D						14800317	-	08101073	SKR2428

*)

**)

1 3/4"



TC042M	*)
	27
	3/4" BSPIT
	1 1/2" BSPIT
	(? ? ?)
	314x389x600

TC052MF	*)
	40
	3/4" BSPIT
	1 1/2" BSPIT
	(? ? ?)
	304x515x470

TC052MF -

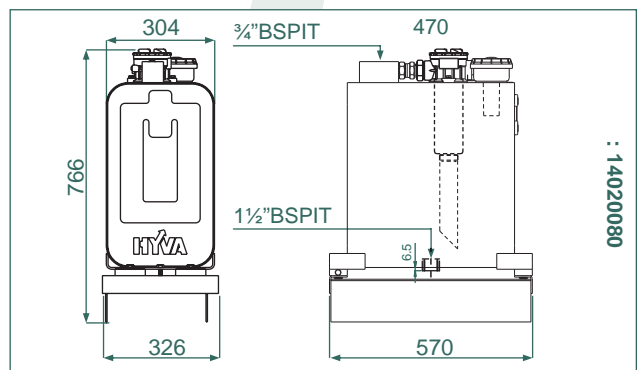
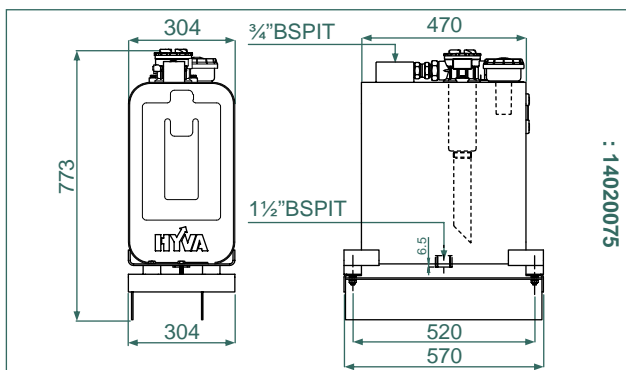
52

	1x		1x	2x	2x	1x	2x	4x	1x
TC052MF						-	-	-	-
TC052MF2C						14020075	-	08101073	SKS2428
TC052MF2D	14016280	CM-066L/052L-MP-RF	08102116	-	-	14020075	-	08101073	SKR2428
TC052MF3C						14020080	-	08101073	SKS2428
TC052MF3D						14020080	-	08101073	SKR2428

*)

**)

1 3/4"



TC079MF-

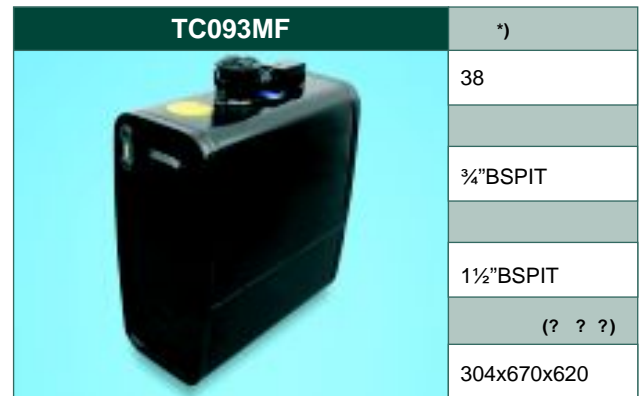
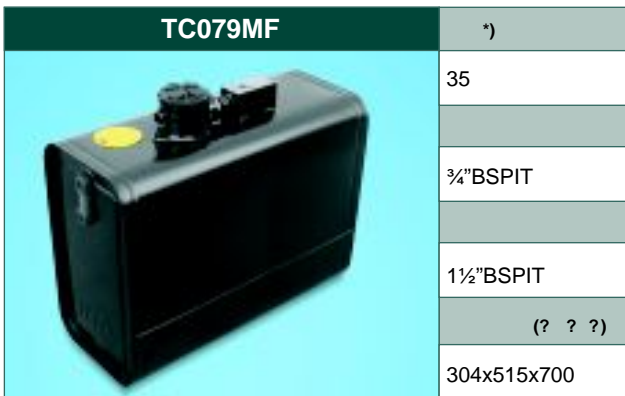
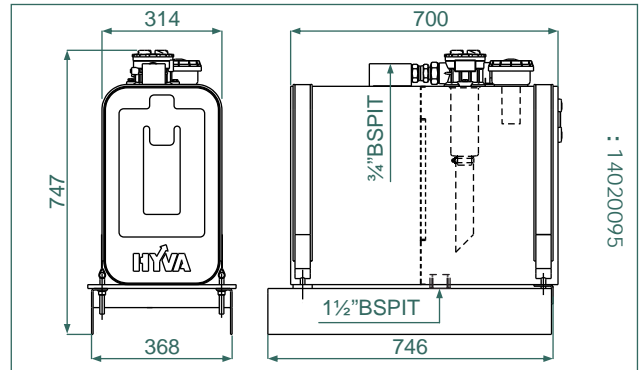
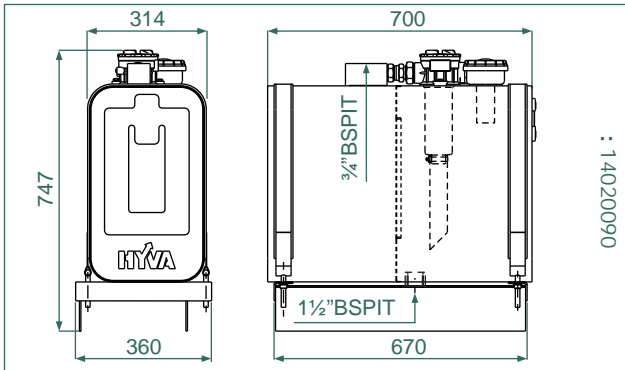
79

	1x		1x	2x	2x	1x	2x	4x	1x
TC079MF						-	-	-	-
TC079MF3C						14020090	14020070	-	SKS2428
TC079MF3D	14016300	CM-100L/079L-MP-RF	08102116	14020030	14020040	14020090	14020070	-	SKR2428
TC079MF4C						14020095	14020070	-	SKS2428
TC079MF4D						14020095	14020070	-	SKR2428

*)

**)

1 3/4"



TC093MF -

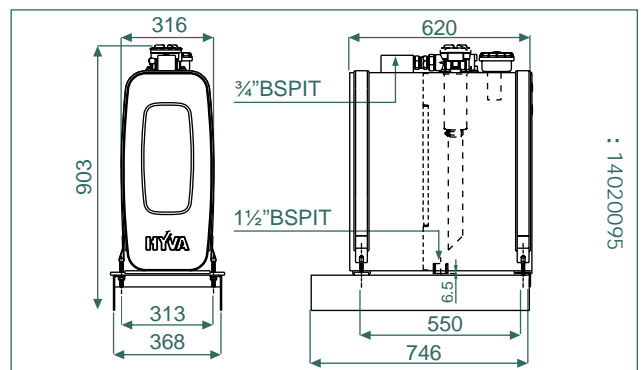
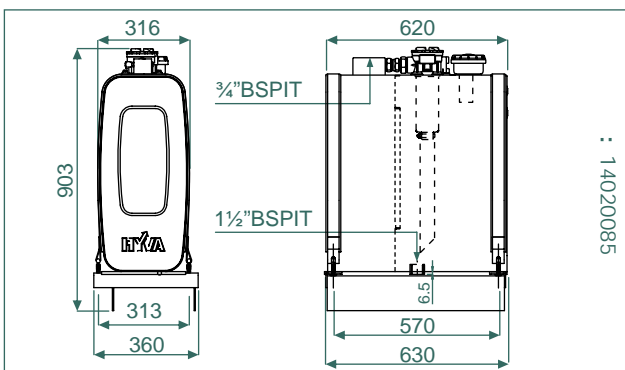
93

	1x		1x	2x	2x	1x	2x	4x	1x
TC093MF						-	-	-	-
TC093MF3C						14020085	14020070	-	SKS2428
TC093MF3D	14016320	CM-110L/093L-MP-RF	08102116	14020010	14020020	14020085	14020070	-	SKR2428
TC093MF4C						14020095	14020070	-	SKS2428
TC093MF4D						14020095	14020070	-	SKR2428

*)

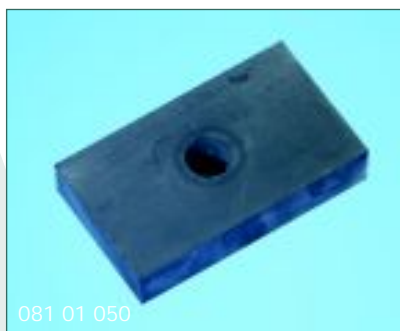
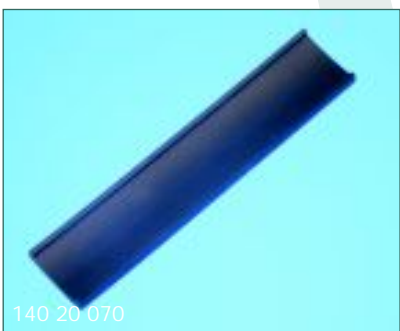
**)

1 3/4"



140 20 050			140 16 060
140 20 060			140 16 060
140 20 030			140 16 100
140 20 040			140 16 100
148 00 310	?	204	140 16 070
140 20 073	?	204	140 16 060
140 20 075	?	204	140 16 080
148 00 317	?	286	140 16 070

140 20 080	?	286	140 16 080
140 20 085	?	286	140 16 120
140 20 090	?	286	140 16 100
140 20 095	?	368	140 16 100/120
092 19 060	?	264	140 15 030
140 20 070			
081 01 050		()	
081 01 073		()	

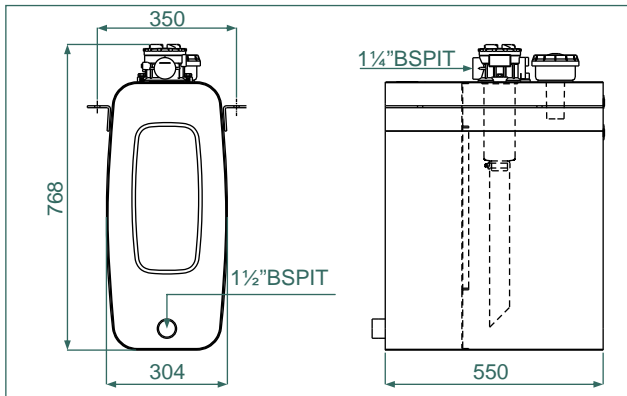




TT070F - 70

	1x		1x	4x	1x	1x	*)
TT070F							
TT070FC	14016331	TM-97L/070L-RF	08102116	08101050	SKS2428	NK2016R	
TT070FD				08101050	SKR2428	NK2016H	

*) 1 3/4"

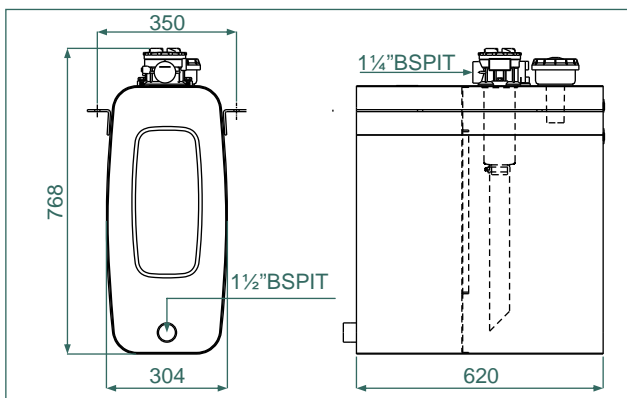


35
1 1/4" BSPIT
1 1/2" BSPIT
(? ? ?)
304x674x550

TT085F - 85

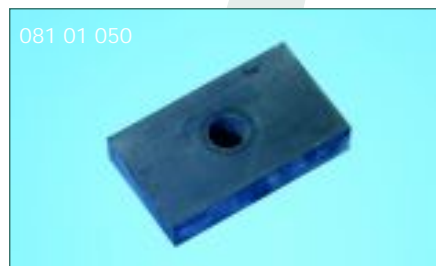
	1x		1x	4x	1x	1x	*)
TT085F							
TT085FC	14016330	TM-110L/085L-RF	08102116	08101050	SKS2428	NK2016R	
TT085FD				08101050	SKR2428	NK2016H	

*) 1 3/4"



38
1 1/4" BSPIT
1 1/2" BSPIT
(? ? ?)
304x674x620

081 01 050	()
------------	-----



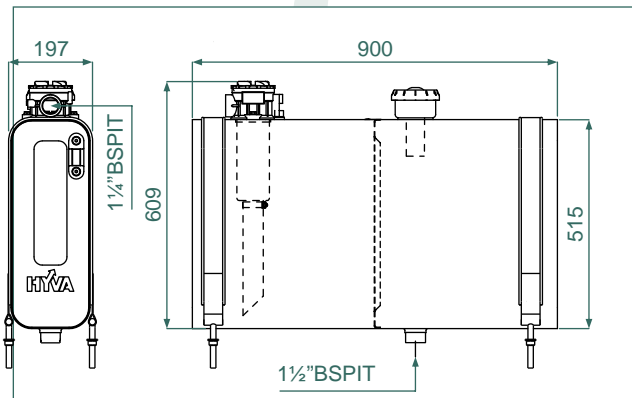
TR065F -

65

	1x		1x	2x	2x	2x	2x	4x	1x ^{*)}
TR065F									-
TR065FC	14015220	RM-081L/065L-RF	08102116	14020000	14020005	-	-	-	SKS2428
TR065FD									SKR2428

*)

**) 1 3/4"



*)
35
1 1/4" BSPIT
1 1/2" BSPIT
(? ? ?)
190x515x900

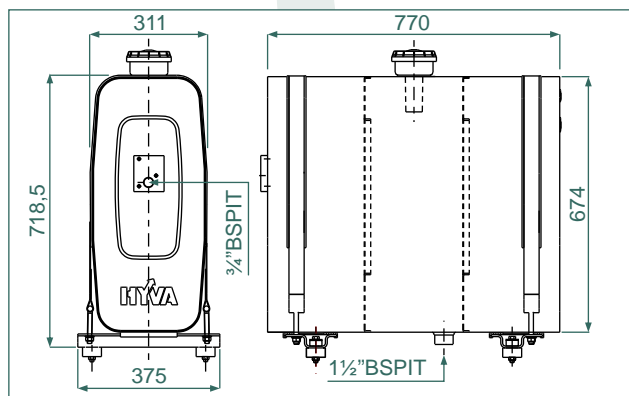
TR117M -

117

	1x		1x	2x	2x	2x	2x	4x	1x ^{*)}
TR117M									-
TR117MC	14015240	RM-139L/117L-MP	08102116	14020010	14020020	14221530	14221582	08101078	SKS2428
TR117MD						14221530	14221582	08101078	SKR2428

*)

**) (14221530 2x). 1 3/4"



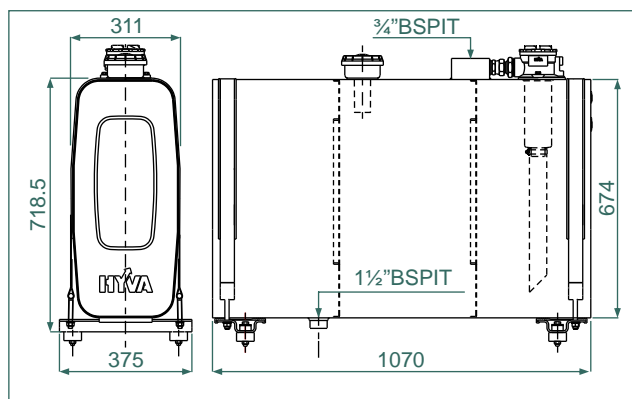
*)
53.1
3/4" BSPIT
1 1/2" BSPIT
(? ? ?)
304x674x770

TR165MF - 165

	1x		1x	2x	2x	2x	2x	4x	1x
TR165MF						-	-	-	-
TR165MFC	14015280	RM-195L/165L-MP-RF	08102116	14020010	14020020	14221530	14221582	08101078	SKS2428
TR165MFD						14221530	14221582	08101078	SKR2428

*) (14221530 2x).

**)

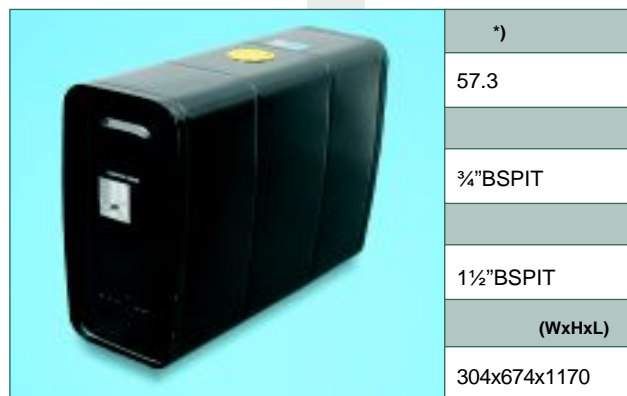
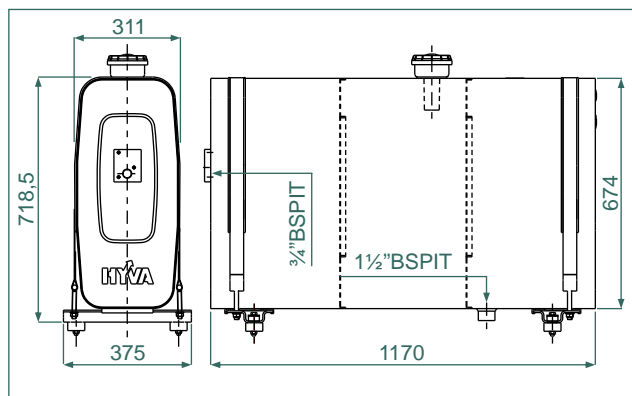


TR181M - 181L working volume

	1x		1x	2x	2x	2x	2x	4x	1x
TR181M						-	-	-	-
TR181MC	14015265	RM-214L/181L-MP	08102116	14020010	14020020	14221530	14221582	08101078	SKS2428
TR181MD						14221530	14221582	08101078	SKR2428

*) (14221530 2x).

**)



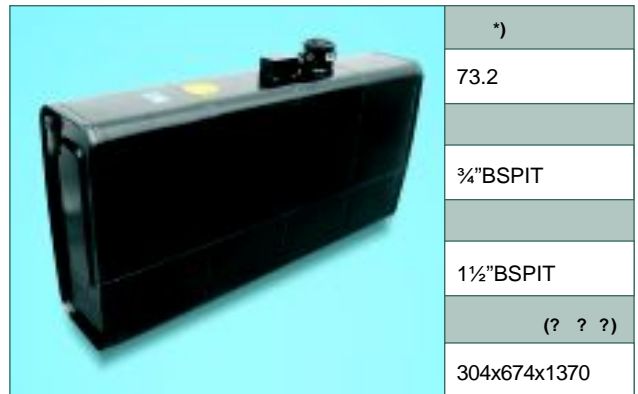
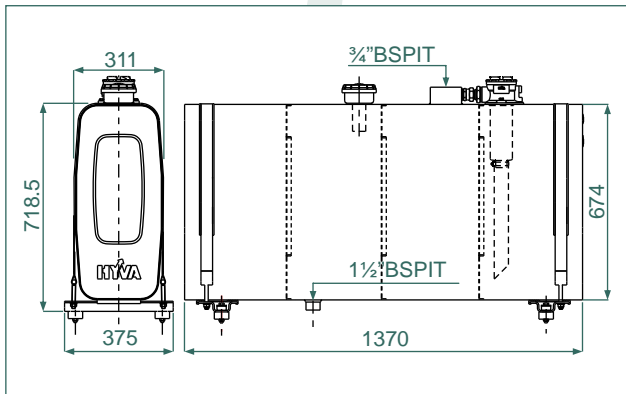
TR213MF -

213

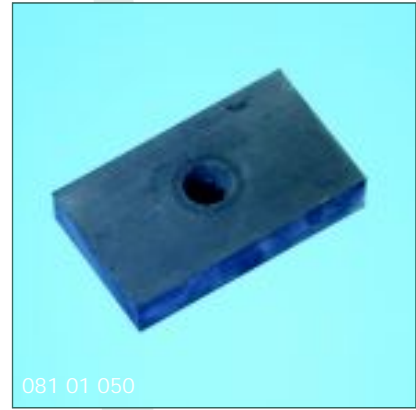
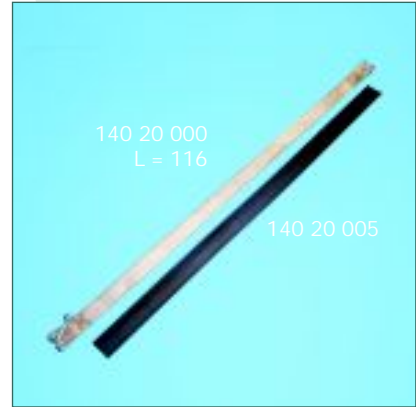
	1x		1x	2x	2x	2x	2x	4x	1x ^{**)}
TR213MF									
TR213MFC	14015300	RM-252L/213L-MP-RF	08102116	14020010	14020020	14221530	14221582	08101078	SKS2428
TR213MFD						14221530	14221582	08101078	SKR2428

^{*)} (14221530 2x).

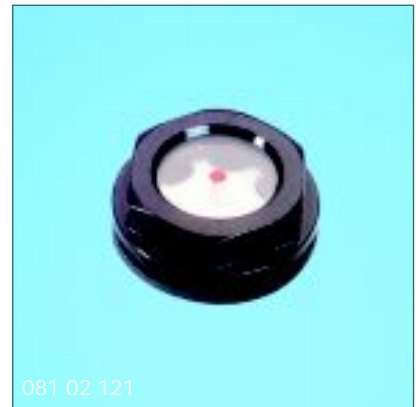
^{**)} 1 3/4".



140 20 000	140 15 020
140 20 005	140 15 020
140 20 010	140 15 040/065/080/100
140 20 020	140 15 040/065/080/100
142 21 530	140 15 040/065/080/100
142 21 582	140 15 040/065/080/100
081 01 050	()
081 01 078	()



081 02 118		081 02 116
081 02 120	.	081 02 116
148 95 910		147 80 302/3/4/6
148 95 911	.	147 80 302/3/4/6
081 02 121	1"	
081 02 201		(1)
012 38 115	1¼" - Lp20	
081 02 129		



147 80 302	SM(MR)	250
147 80 303	SM(MR)	350
147 80 304	SM(MR)	400

SM



081 02 116

	:	-
A	081 02 117	1
B	081 02 128	1
C	081 02 119	1
D	081 02 126	1
E	081 02 127	6
F	081 02 125	1



147 80 306

	:	-
A	148 96 991	1
B	148 96 928	1
C	148 96 920	1
D	148 96 950	1
E	148 96 905	1
F	148 96 980	1

