

# Hyva



Hyva 1220 2200 PT 220 150  
 350  
 Hyva 1140 3DHM.  
 ( 1220 2200 ), Hyva  
 Hyva,  
 PT DHM  
 PT DHM  
 Hyva. Hyva. DHM  
 Hyva  
 3/4", 1" Hyva Hyva

E	D	170	B	C		
					C =	
					D =	90°
					A =	
					B =	
					C =	
					D =	
					H =	
					L =	
					V =	
					W =	
					S =	
					=	

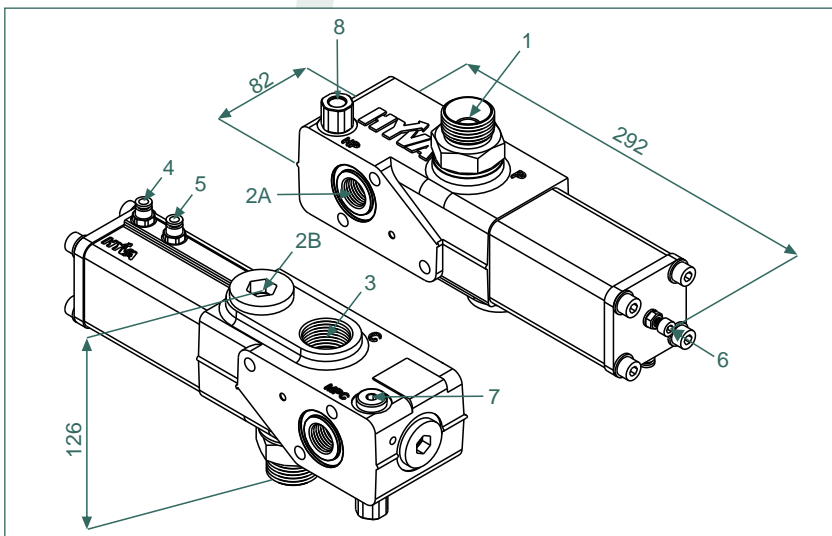
PT 1220	3/4-
PT 1220	1-
PT 2220	3/4-
PT 2220	1-
3 DHMP	3/4-
3 DHMP	1-
DME 26 12V	1/2-
DME 26 12V	1/2-

Hyva  
 Hyva  
 45 160  
 ( 12

### 1220

		( )	¾" HP	1" HP
147 67 315	- PT1220 - 150	150	EC150	ED150
147 67 317	- PT1220 - 170	170	EC170	ED170
147 67 319	- PT1220 - 190	190	EC190	ED190
147 67 322	- PT1220 - 220	220	EC220	ED220
147 67 325	- PT1220 - 250	250	EC250	ED250
147 67 328	- PT1220 - 280	280	EC280	ED280
147 67 335	- PT1220 - 350	350	EC350	ED350

220	.	G1	6.4
-----	---	----	-----



- 1 : (P)
- 2A : (T)
- 2B : (T)
- 3 : (C)
- 4 : -
- 5 : -
- 6 : -
- 7 : ) (
- 8 : -

### 1220/2220

147 71 135	PT 1220/2220 - 135
147 71 150	PT 1220/2220 - 150
147 71 170	PT 1220/2220 - 170
147 71 190	PT 1220/2220 - 190
147 71 220	PT 1220/2220 - 220
147 71 250	PT 1220/2220 - 250
147 71 280	PT 1220/2220 - 280
147 71 300	PT 1220/2220 - 300
147 71 320	PT 1220/2220 - 320
147 71 350	PT 1220/2220 - 350

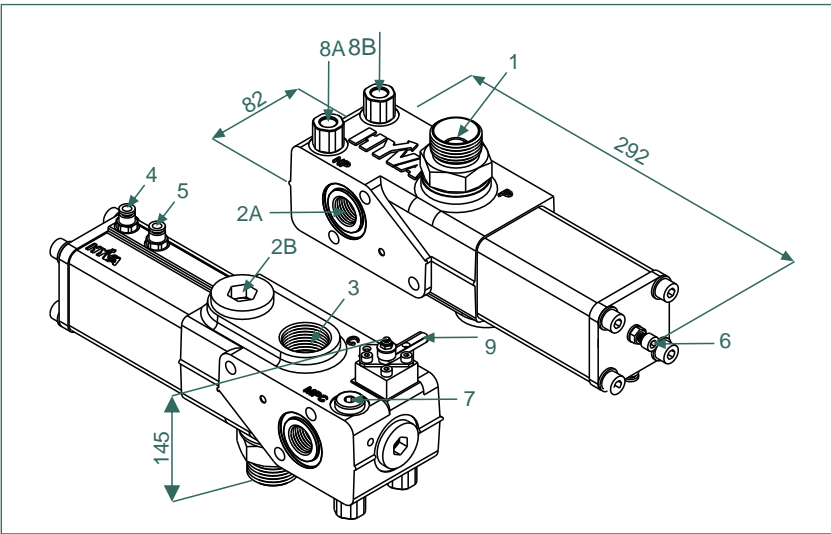
148 42 209	PT/KL
------------	-------



## 1220

		( )	¾" HP	1" HP
147 67 352	- PT2220-150-220	150	EH220	EL220
147 67 355	- PT2220-150-250	170	EH250	EL250
147 67 358	- PT2220-150-280	190	EH280	EL280
147 67 365	- PT2220-150-350	220	EH350	EL350
147 67 372	- PT2220-170-220	250	EH372	EL372
147 67 372	- PT2220-170-250	280	EH375	EL375

220	G 1	6.4
-----	-----	-----

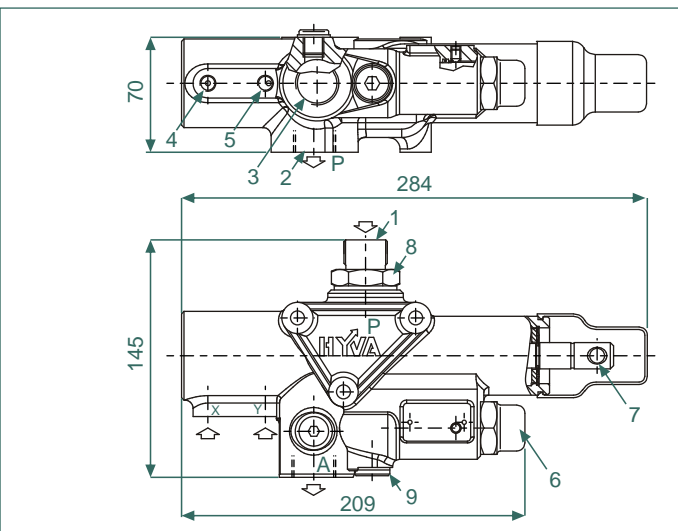


- 1 : (P)
- 2A : (T)
- 2B : (T)
- 3 : (C)
- 4 : -
- 5 : -
- 6 : -
- 7 : ( )
- 8 : ( )
- 9 : -

## PT 1140

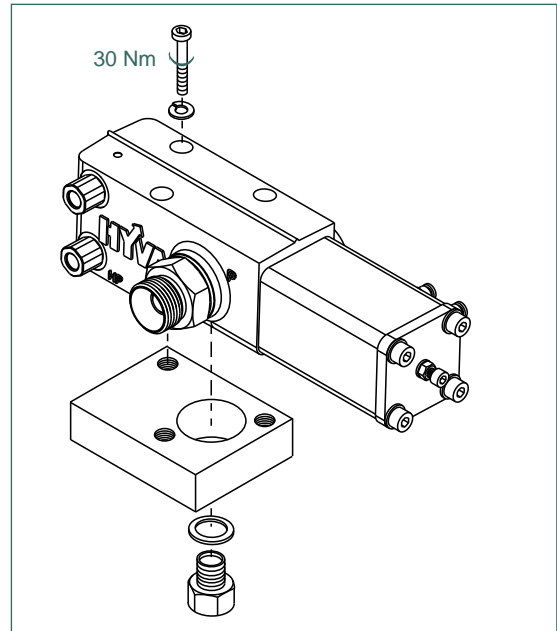
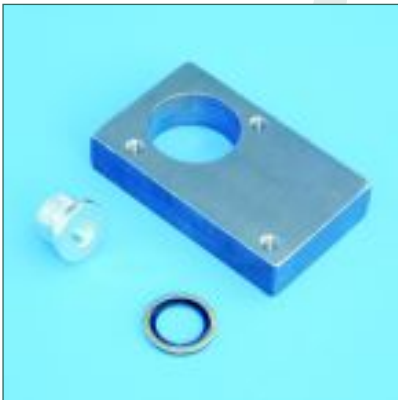
		( )	¾" HP
147 08 255 H	- PT1140 - 170	170	EP 170
147 08 256 H	- PT1140 - 190	190	EP 190
147 08 260 H	- PT1140 - 250	250	EP 250

140 /	G ¾	G 1/8	4,8
-------	-----	-------	-----



- 1 : (P)
- 2 : (A)
- 3 : (T)
- 4 : (C)
- 5 : -
- 6 : (X)
- 7 : (Y)
- 8 : (P)
- 9 : -

	147 35 208			-
1	147 35 210			1
2	012 06 837			1
3	147 99 175		1/2"	1

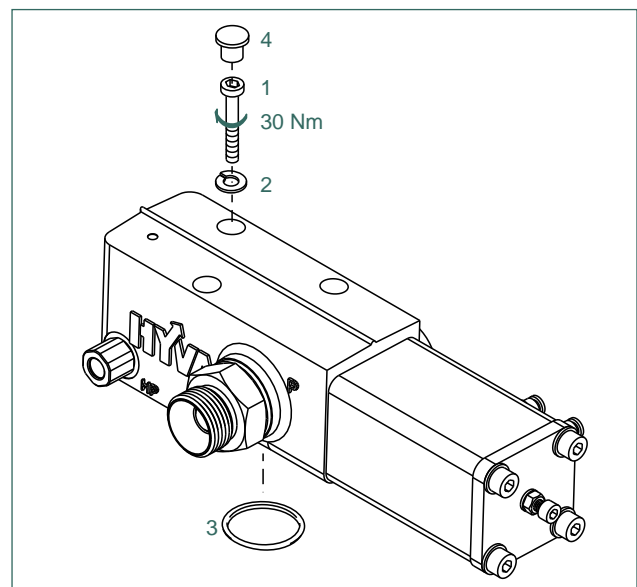


\*

	147 35 168			-
1	150 13 645			3
2	150 24 080			3
3	012 25 607	-	,	3
4				3



\*



147 45 008				-
	400			1
1/8-		3/8-		1
1/4-		3/8-		1

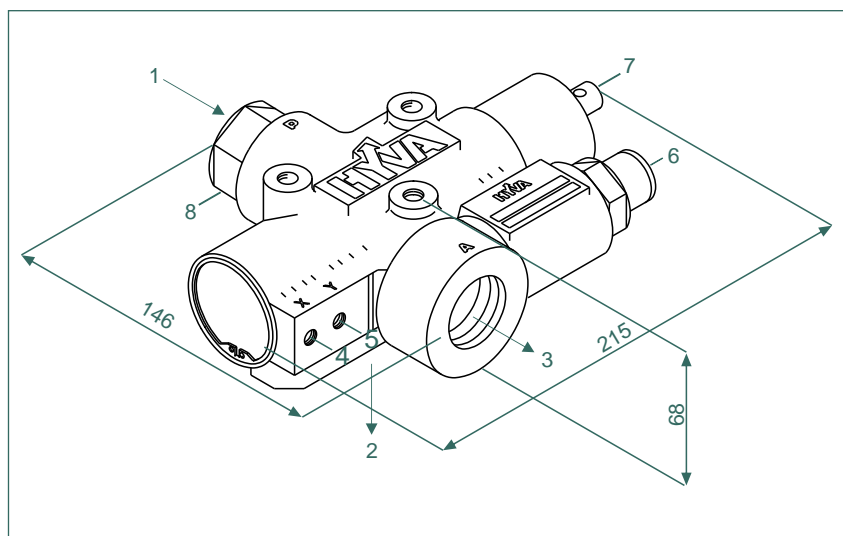
(148 80 790)

### 3 DHMP-

		( )	¾" HP
147 08 313 H	3 DHMP 70 - 130	130	EV130
147 08 316 H	3 DHMP 70 - 160	160	EV160
147 08 317 H	3 DHMP 70 - 170	170	EV170
147 08 319 H	3 DHMP 70 - 190	190	EV190
147 08 322 H	3 DHMP 70 - 220	220	EV220
147 08 328 H	3 DHMP 70 - 280	280	Ev280

110	G¾"	G½"	3,5
-----	-----	-----	-----



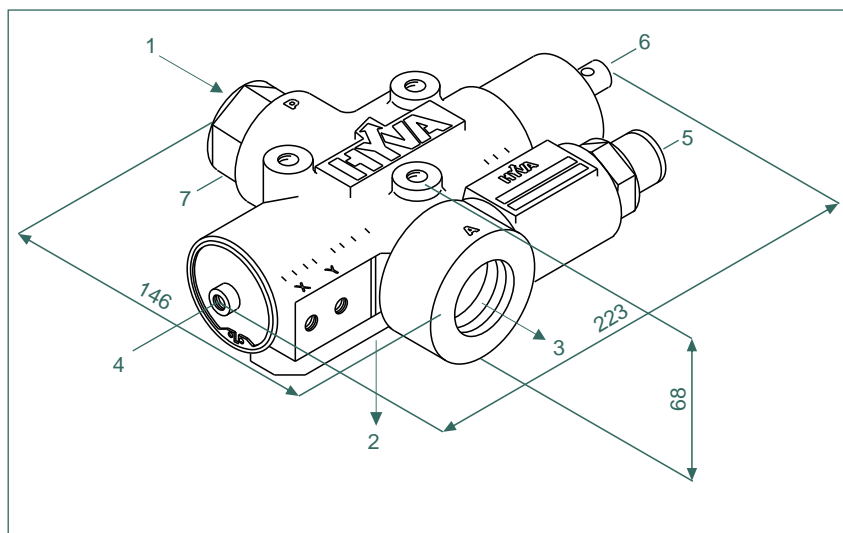
- 1: (P)
- 2: (T)
- 3: (A)
- 4: - (X)
- 5: - (Y)
- 6: -
- 7: ) (
- 8: )

### 3 DHM

		( )	¾"
147 08 513 H	T 3 DHMC 70 - 130	130	EW130
147 08 515 H	3 DHMC 70 - 160	160	EW160
147 08 517 H	3 DHMC 70 - 170	170	Ew170

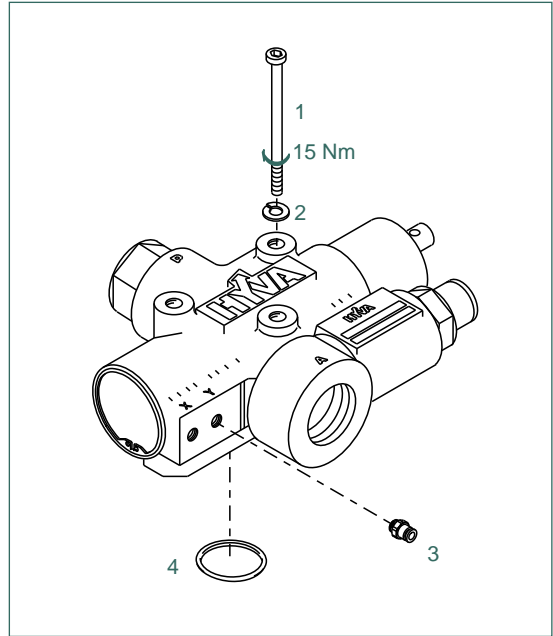
110 /	G¾"	3.5
-------	-----	-----



- 1: (P)
- 2: (T)
- 3: (A)
- 4: -
- 5: -
- 6: -
- 7: ) (

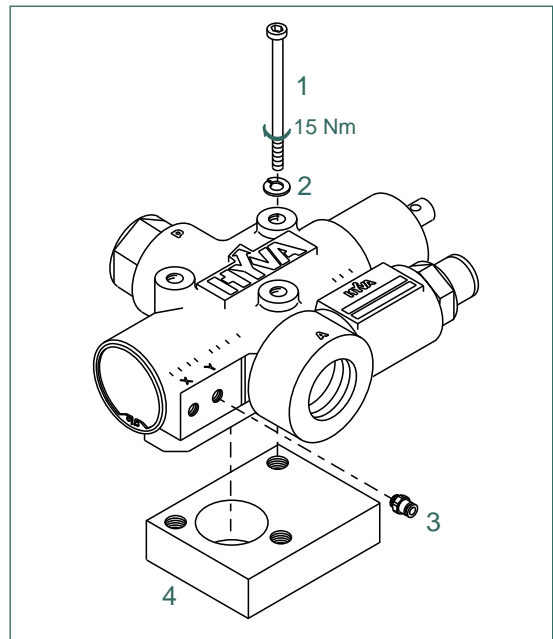
### 3 DHMP/C70

	147 35 395	3 DHMP/C70	-
1	150 13 650	:	3
2	150 22 020		3
3	148 10 517		2
4	012 25 601		1



### 3 DHMP/C70

	147 35 398	3 DHMP/C70	-
1	150 13 650	:	3
2	150 22 020		3
3	148 10 517		2
4	147 35 210		1

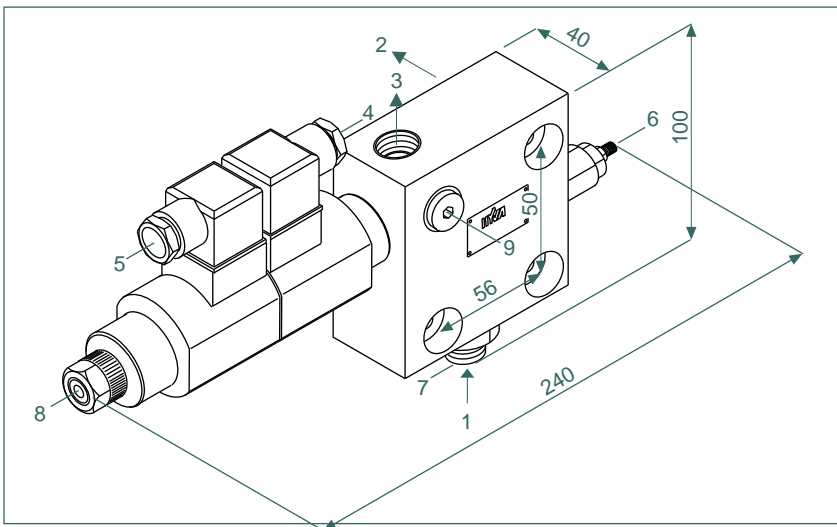


### DME 26

		( )	( )	3/4"
147 00 090 H	DME 26 12V-135	135	12	ES 135
147 00 093 H	DME 26 12V-180	180	12	ES 180
147 00 095 H	ME 26 24V-135	135	24	ET 135
147 00 105 H	DME 26 24V-180	180 bar	24	ET 180
25 /		G3/8"		1.4

HYVA

SM-025L/012L-MP ( 140 17 005). 147 08 069H.



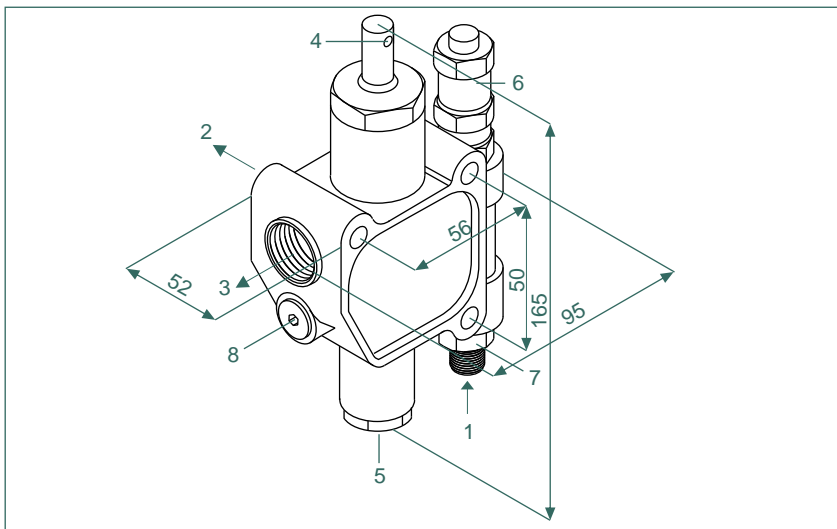
- 1: (P)
- 2: (T)
- 3: (A)
- 4: ,
- 5: ,
- 6: ,
- 7: ,
- 8: ,
- 9: 1/8"

### DMM

		( )
147 08 710 H	DMM 40 C - 130	130
147 08 725 H	DMM 40 C - 160	160
40 /		G1/2"
		1.8

Hyva

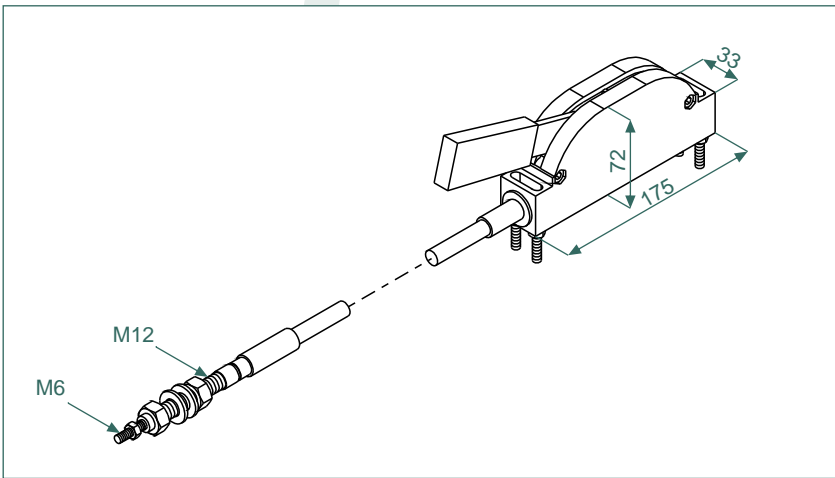
SM-025L/012L-MP ( 140 17 005). 019 53 310H.



- 1: ( )
- 2: ( )
- 3: ( )
- 4: ( )
- 5: ( )
- 6: ( )
- 7: ( )
- 8: 1/8"

# Hyva

		( )
020 10 112 H	1,5 ,	1.1
020 10 148 H	2,0 ,	1.2
020 10 122 H	2,5 ,	1.3
020 10 141 H	3,0 ,	1.4
020 10 125 H	3,5 ,	1.5
020 1 0126 H	4,0 ,	1.6
020 1 0127 H	0,5 ,	1.7



( / )

020 70 120	
------------	--

HYVA



148 80 790 DS	
148 80 791	300 - 1/4"
	(148 80 790 VL)

1/8"

1/4" (148 80 790 VL).



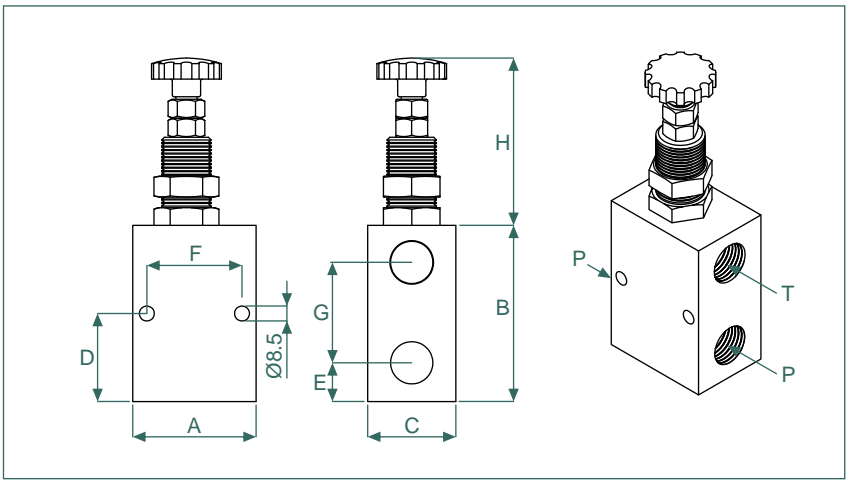
“ ”  
8 (495) 988-10-96

**HYVA**® HYDRAULICS MOVES YOUR WORLD

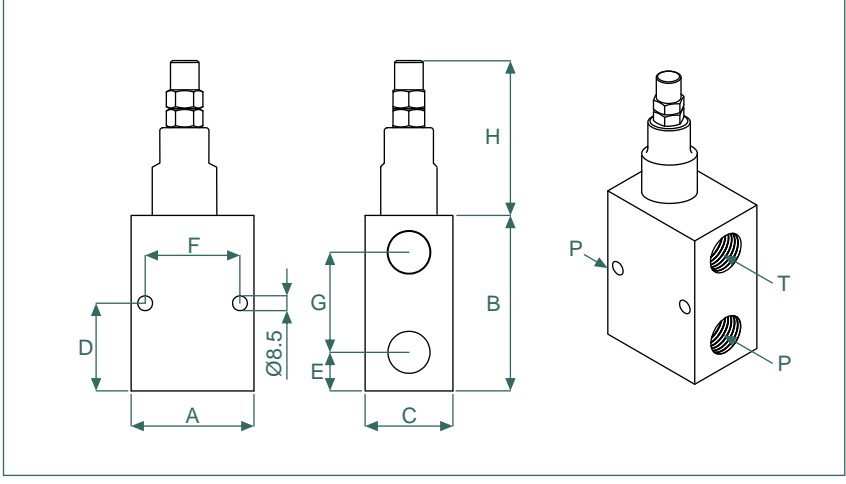


# Hyva

				( )	( / )	( )	( )	( )	( )	( )	( )	( )	( )	( )	( )	( )	( )
				( )	( / )	( )	( )	( )	( )	( )	( )	( )	( )	( )	( )	( )	( )
				( )	( / )	( )	( )	( )	( )	( )	( )	( )	( )	( )	( )	( )	( )
013 19 875	( )	100 , 50-210	KNOB	50-210	3/4"	3/4"	100	1.1	70	100	50	50	22	54	57	95	



				( )	P	T	( / )	( )	( )	( )	( )	( )	( )	( )	( )	( )	( )
				( )	( / )	( / )	( / )	( )	( )	( )	( )	( )	( )	( )	( )	( )	( )
013 19 880	100L-210	BOLT( )		50-210	3/4"	3/4"	100	1.1	70	100	50	50	22	54	57	76.5	
013 19 885	100L-350	BOLT( )		180-350	3/4"	3/4"	100	2.4	70	100	50	50	22	54	57	76.5	
013 19 890	100L-350	BOLT( )		180-350	1"	1"	100	2.4	85	120	60	63	30	65	65	76.5	



# Hyva

## UCB 145/165

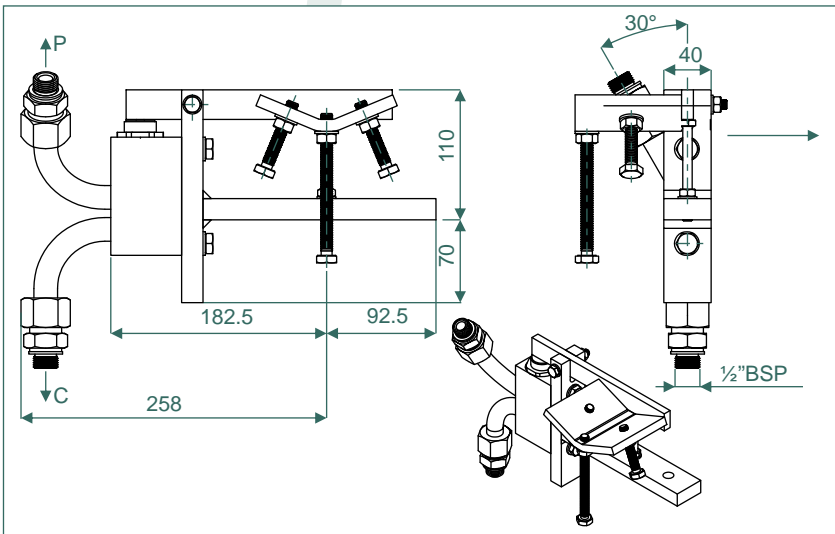
		( )	( / )	( )
147 52 800	UCB 145/165*)	200	1/2"	60 -
147 52 805	UCB 126*	200	1/2"	60 -

\*) UCB

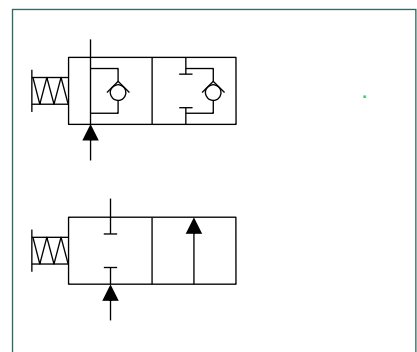
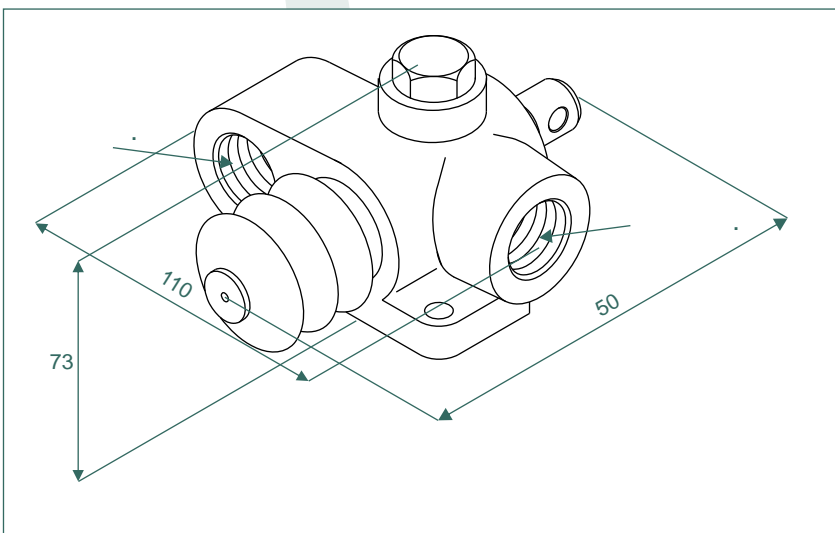
( 014 14 665 (145/165) 014 14 663 (126).



C : - :  
P : - :



		( )	( / )	( )
147 20 170	3/8"-2 .-1 .	350	3/8"	50 1.4
147 20 210	3/4"-2 .-1 .	350	3/4"	100 1.4
147 20 180	1"-2 .-1 .	350	1"	100 1.7
147 00 505	3/8"-2 .-2 .	350	3/8"	50 1.4
147 00 520	3/4"-2 .-2 .	350	3/4"	100 1.4
147 00 595	1"-2 .-2 .	350	1"	100 1.7



# Hyva

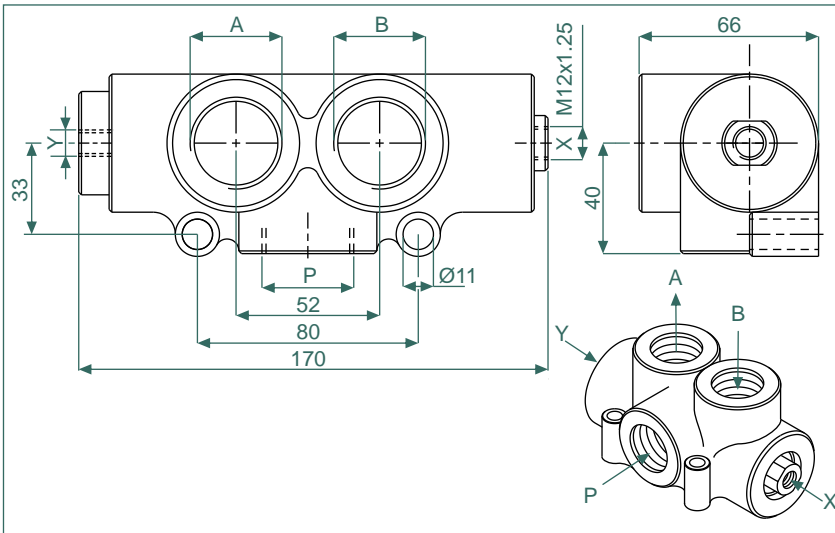
## VDMR

			P	A	B	( / )	( )
147 08 602 H	VDMR 3/2- 350	350	G1"	G1"	G1"	160	2.6
147 08 612 H	VDMR 3/2- 350	350	G1"	G3/4"	G3/4"	100	2.6
147 08 620 H	VDMR-D 3/3 - 350	350	G1"	G3/4"	G3/4"	100	2.6

: 147 08 620 H

M12x1.25

019 15 290H



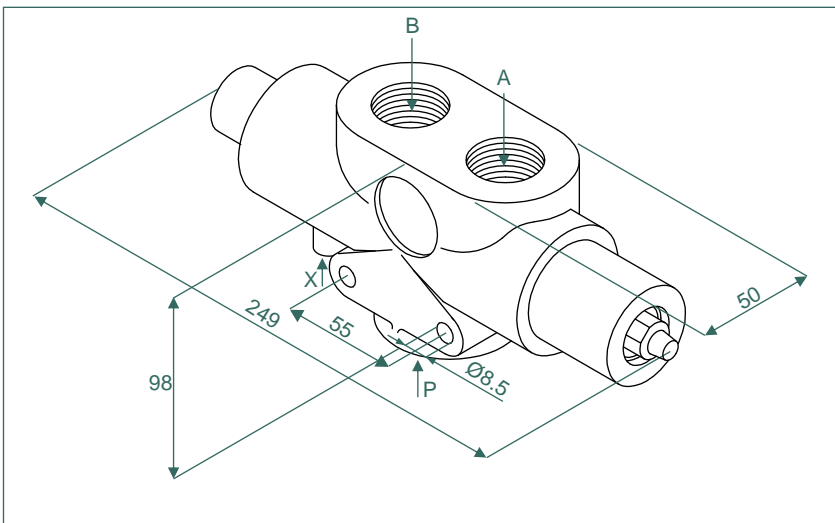
P :  
 A :  
 B :  
 X : M12x1.25  
 Y : 1/8"  
 3/3  
 ( )

## 3/2 - 1"

		( )	( / )	( )	)
147 22 000	3/2 - 1"	350	1"	250	4.5 L003-1
147 00 510	3/3 - 1"	350	1"	250	4.5

1/8-

148 10 517.



P : = 1"  
 A : = 1"  
 B : = 1"  
 X : = 1/8"  
 L003-1  
 3/4"  
 3/3  
 ( )

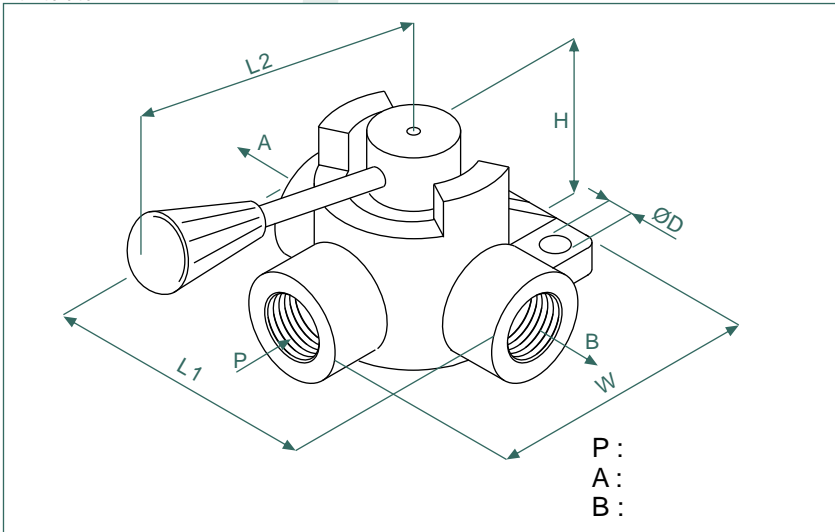
1220 PT 2220,  
 (147 00 511).

# Hyva

						( / )	L1 ( )	L2 ( )	W ( )	H ( )	ØD ( )
			P	A	B						
147 20 230	3/3-350-025L-3/8"	350	G3/8"	G3/8"	G3/8"	25	70	112	75	64	8.5
147 20 240	3/3-350-050L-1/2"	350	G1/2"	G1/2"	G1/2"	50	85	112	92	68	8.5
147 40 035	3/3-250-085L-3/4"	250	G3/4"	G3/4"	G3/4"	85	91	132	101	80	10.5
147 20 250	3/3-350-100L-3/4"	350	G3/4"	G3/4"	G3/4"	100	90	112	100	80	10.5
147 40 040	3/3-350-140L-3/4"	350	G3/4"	G3/4"	G3/4"	140	250	-	86	53	10.5
147 40 037	3/3-250-180L-1"	250	G1"	G1"	G1"	180	98	167	115	89	10.5

3/3

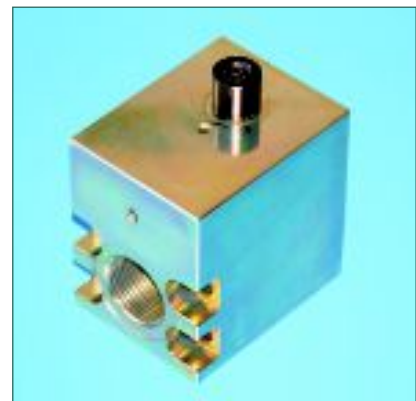
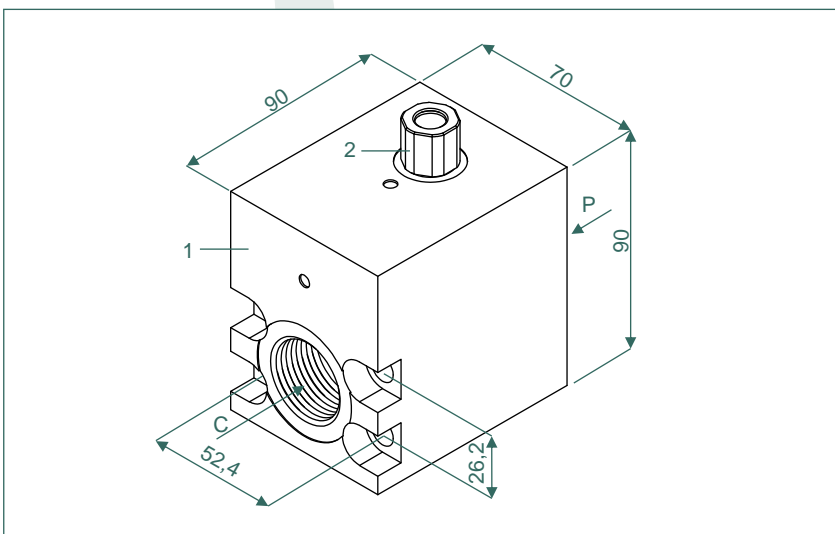
147 40 040



12 (147 07 055).



		( )	( / ) ( )
147 42 101	1"SAE	190	1" 215 4.0

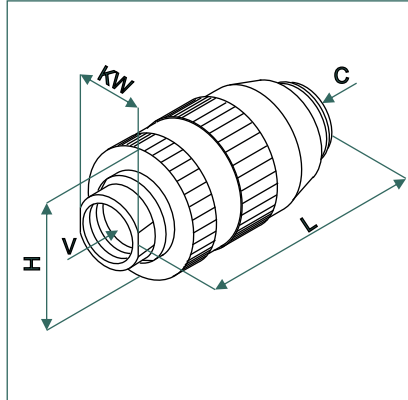
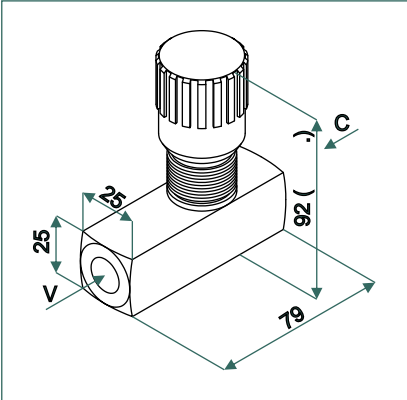


1 :  
2 : (147 71 190)  
C : ;  
P : ;

“ ”  
8 (495) 988-10-96

# Hyva

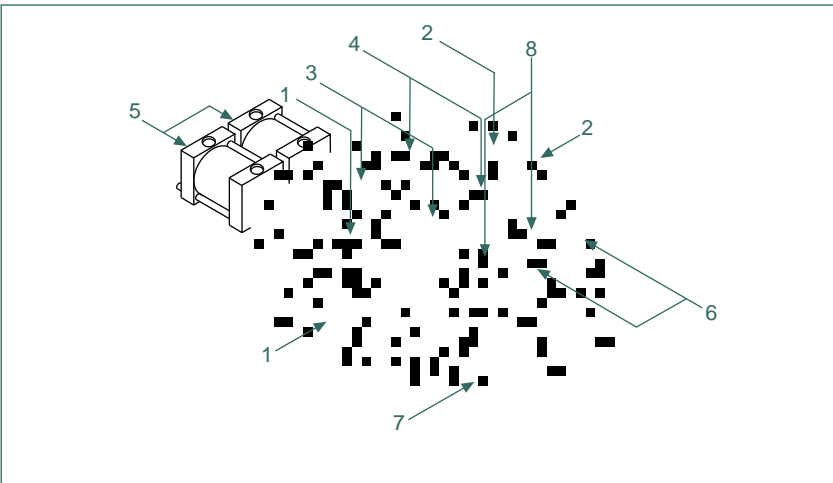
		( )		L	H	KW	( / )	( )
147 00 485	-	400	G3/8"	72	42	24	40	0.6
147 00 484	-	300	G3/4"	100	55	36	100	0.5



C :  
V :

		( )		( / )	( )
092 35 651	-	400	3/8"	40	0.5

		( )	P	A/B	T	( / )
147 02 610	-080-2-DA/SA-180-PN	180	1/2"	1/2"	3/4"	80
147 02 620	-080-2-SA/DA-280-PN	280	1/2"	1/2"	3/4"	80
147 02 710	-080-3-DA/SA/SA-180-PN	180	1/2"	1/2"	3/4"	80
147 02 810	-080-4-DA/DA/SA/SA-180-PN	180	1/2"	1/2"	3/4"	80
147 02 815	-080-4-DA/DA/SA/SA-280-PN	280	1/2"	1/2"	3/4"	80
147 02 820	-080-4-SA/SA/DA/DA-280-PN	280	1/2"	1/2"	3/4"	80
147 03 120	-140-2-DA/SA-280-PN	280	3/4"	3/4"	1"	140
147 03 125	-140-2-DA/SA-170-PN	170	3/4"	3/4"	1"	140
147 03 210	-140-3-SA/DA/DA-170-L	170	3/4"	3/4"	1"	140
147 03 220	-140-3-SA/SA/DA-280-PN	280	3/4"	3/4"	1"	140
147 03 310	-140-4-DA/DA/SA/SA-280-PN	280	3/4"	3/4"	1"	140
147 05 500	-160-3-DA/DA/SA-170-PN	170	1"	1"	1"	160
147 05 550	-160-3-DA/SA/DA-135-L	135	1"	1"	1"	160



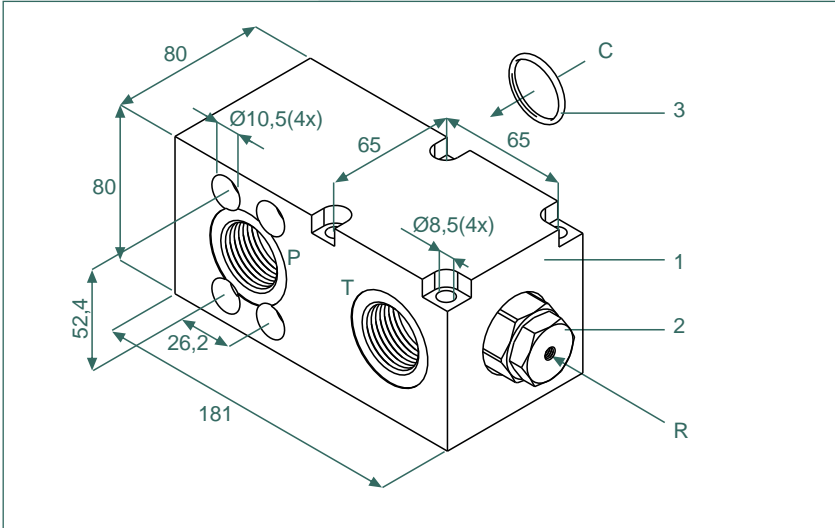
1 :  
2 :  
3 :  
4 :  
5 :  
6 :  
7 :  
8 :

DA =  
SA =  
PN =  
L =

# Hyva

## -SAE

		( )	( / ) ( )
147 01 130	- CM-SAE-150	150	G1" 1"SAE 150 2.5
147 01 150	- CM-SAE-170	170	G1" 1"SAE 150 2.5



P : = 1"  
 C : SAE = 1"  
 T : = 1"  
 R :

???		
1	147 01 155	
2	147 01 154	150
	147 01 156	170
3	147 01 157	

		( )	( / ) ( )	( )	L1 ( )	L2 ( )	L3 ( )	SW1 ( )	ØD1 (")	ØD2 (")
147 39 975 A	1	350	220	0.3	48.5	18.5	15	41	1	1

P 1" 60 1" (013 13 848) 60 100 / .

