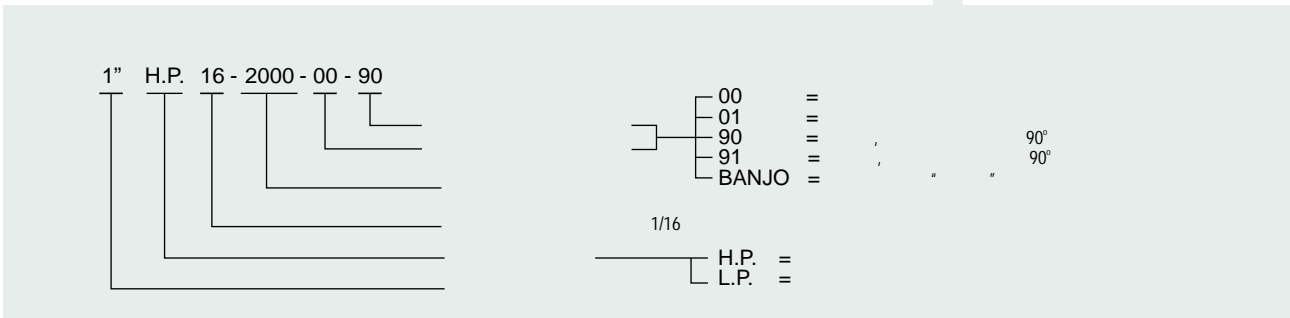


Hyva

Hyva,

225 350



60-

		( )	( )	( )	( )	( )	( )	( )
147 95 085	20-1500-00-01	1 1/4"	1 1/4	2,0	14	205	J003-01	-
147 95 034	20-1500-00-00	1 1/4"	1 1/4		14	205	GH060	
147 95 036	20-2000-00-00	1 1/4"	1 1/4	2,0	14	205	GH080	
147 95 118	28-1500-00-00	1 3/4"	1 3/4	1,9	7	280	GH060	
147 95 120	28-2000-00-00	1 3/4"	1 3/4	2,8	7	280	GH080	
147 95 131	28-2500-00-00	1 3/4"	1 3/4	3,7	7	280	GH100	
147 95 132	28-3000-00-00	1 3/4"	1 3/4	4,6	7	280	-	
147 95 853	32-2000-00-00	2"	2	3,6	7	305	-	

\*) : GM080AB 1 3/4 28-2000-00-00

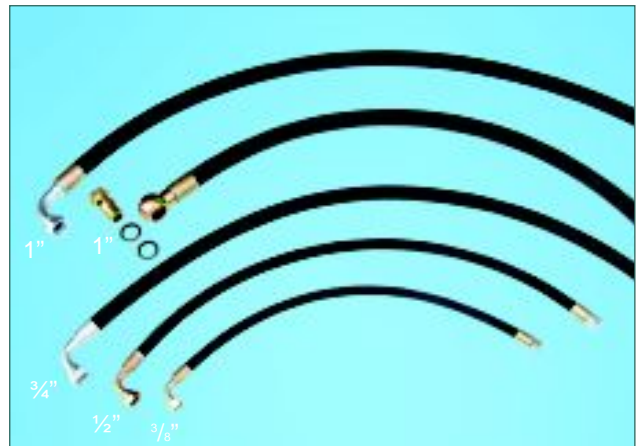


147 96 594	1 1/4"	2
147 96 600	1 3/4"	2
147 96 612	2	2

# Hyva

		(")	( )	( )	( )	Ø ( )	
						(A)	(B)
147 89 483	½" 08 - 0700 - 00 - 00	½"	1.0	310	140	½"	½"
147 89 486	½" 1000 - 00 - 00	½"	1.2	310	140	½"	½"
147 89 504	½" 1500 - 00 - 00	½"	1.8	310	140	½"	½"
147 90 026	¾" 1000 - 00 - 00	¾"	1.3	280	195	¾"	¾"
147 90 038	¾" 12 - 1500 - 00 - 00	¾"	1.6	280	195	¾"	¾"
147 90 040	¾" 12 - 2000 - 00 - 00	¾"	2.0	280	195	¾"	¾"
147 90 051	¾" 12 - 2500 - 00 - 00	¾"	2.5	280	195	¾"	¾"
147 90 063	¾" 12 - 3000 - 00 - 00	¾"	2.9	280	195	¾"	¾"
147 90 075	¾" 12 - 4000 - 00 - 00	¾"	2.4	280	195	¾"	¾"
147 90 324	1" 16 - 1000 - 00 - 00	1"	1.7	225	240	1"	1"
147 90 336	1" 16 - 1500 - 00 - 00	1"	2.4	225	240	1"	1"
147 90 348	1" 16 - 2000 - 00 - 00	1"	3.2	225	240	1"	1"
147 90 350	1" 16 - 2500 - 00 - 00	1"	3.9	225	240	1"	1"
147 90 361	1" 16 - 3000 - 00 - 00	1"	4.7	225	240	1"	1"
147 90 368	1" 16 - 3500 - 00 - 00	1"	5.4	225	240	1"	1"
147 90 373	1" 16 - 4000 - 00 - 00	1"	6.2	225	240	1"	1"

\*)



90



		(")	( )	( )	(??)	Ø ( )	
						(A)	(B)
147 88 483	3/8" 06 - 0700-00-90	3/8"	0.5	350	100	3/8"	3/8"
147 88 492	3/8" 06 - 1500-00-90	3/8"	0.7	350	100	3/8"	3/8"
147 89 589	½" 08 - 0700-00-90	½"	1.0	310	140	½"	½"
147 89 570	½" 08 - 1000-00-90	½"	1.2	310	140	½"	½"
147 89 582	½" 08 - 1500-00-90	½"	2.0	310	140	½"	½"
147 90 129	¾" 12 - 1000-00-90	¾"	1.2	280	190	¾"	¾"
147 90 130	¾" 12 - 1500-00-90	¾"	1.6	280	190	¾"	¾"
147 90 142	¾" 12 - 2000-00-90	¾"	2.0	280	190	¾"	¾"
147 90 154	¾" 12 - 2500-00-90	¾"	2.4	280	190	¾"	¾"
147 90 166	¾" 12 - 3000-00-90	¾"	2.9	280	190	¾"	¾"
147 90 178	¾" 12 - 4000-00-90	¾"	3.3	280	190	¾"	¾"
147 94 421	1" 16 - 1000-00-90	1"	2.2	225	240	1"	1"
147 94 433	1" 16 - 1500-00-90	1"	2.8	225	240	1"	1"
147 94 445	1" 16 - 2000-00-90	1"	3.0	225	240	1"	1"
147 94 457	1" 16 - 2500-00-90	1"	4.0	225	240	1"	1"
147 94 469	1" 16 - 3000-00-90	1"	4.6	225	240	1"	1"
147 94 468	1" 16 - 3500-00-90	1"	5.3	225	240	1"	1"
147 94 470	1" 16 - 4000-00-90	1"	5.9	225	240	1"	1"
147 90 4425	1" 16 - 1200-00-BANJO	1"	1.3	225	240	1"	1"
147 90 443	1" 16 - 2200-00-BANJO	1"	2.0	225	240	1"	1"

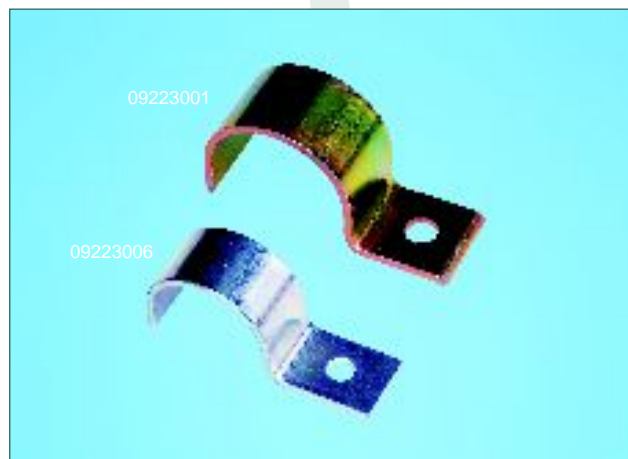
\*)

		(*)	( )	( )	( )	0 - ( )	
						(A)	(B)
147 90 206	¾"12-2000-00-00	¾"	2.6	350	195	¾"	¾"
147 94 820	1" 16-2000-00-00	1"	3.9	380	240	1"	1"
147 94 841	1" 16-4000-00-00	1"	7.6	380	240	1"	1"

\*)

023 92 004	¾"	1
023 92 005	1"	1
149 59 026	¾"	1
149 59 040	1"	1

092 23 006	1¼"	1
092 23 001	1¾" 2"	1



147 89 000	½"	50	310
147 90 001	¾"	50	280
147 90300	1"	50	225
147 95 103	1¾"	30	7

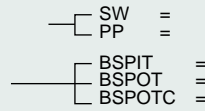
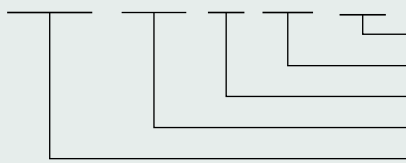


902 23 011	44-49	( 1¼" )
902 23 012	59-64	( 2" )
902 23 013	32-35	( 1" )
902 23 015	26-350	( ¾" )

HYVA

HYVA

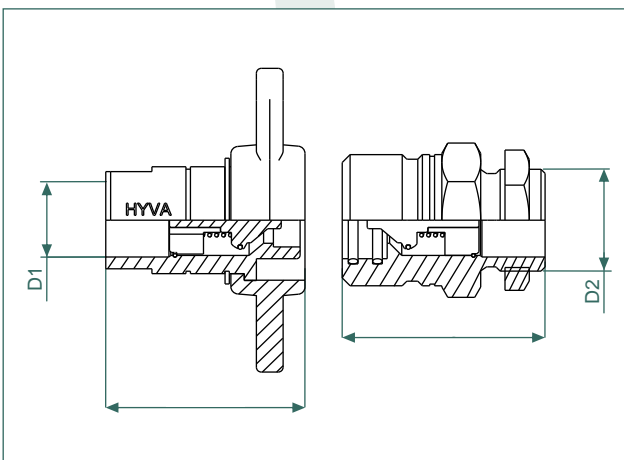
3/4" BSPIT -female- SW - 280B - 160L



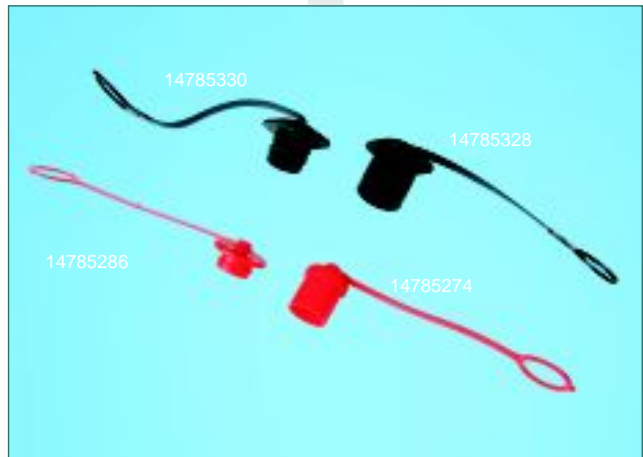
60°

				BSPIT ( )	BSPOT ( )	( )	( / )	( )	( )	( )	( )
013 32 600	3/4" BSPIT	-	-.SW-280B-160L	3/4"	-	280	160	0.8	76.5	125	-
013 32 605	3/4" BSPIT	-	-.SW-280B-160L	3/4"	1 1/4"	280	160	0.7	78.5	51	1 1/4" BSPIT
013 32 650	1" BSPOT	-	-.SW-280B-160L	-	1"	280	160	0.7	76.5	125	-
013 32 655	1" BSPOT	-	-.SW-280B-160L	-	1"	280	160	0.5	79.0	51	-
013 32 625	1" BSPIT	-	-.SW-250B-190L	1"	-	250	190	0.8	82.0	125	-
013 32 630	1" BSPIT	-	-.SW-250B-190L	1"	1 1/4"	250	190	0.9	83.5	60	1 1/4" BSPIT

						3/4"	3/4"-90° <sup>B</sup>	1" <sup>C</sup>	1"-90° <sup>D</sup>
HB 120	3/4" BSPIT	-	-.SW-280B-160L	013 32 600	013 32 615	NK1212R	NK1212H	NK1216R	NK1216H
HB 100	3/4" BSPIT	-	-.SW-280B-160L	013 32 605	013 32 610	NK1212R	NK1212H	NK1216R	NK1216H
HB 220	1" BSPIT	-	-.SW-250B-190L	013 32 625	013 32 640	NK1612R	NK1612H	NK1616R	NK1616H
HB 200	1" BSPIT	-	-.SW-250B-190L	013 32 630	013 32 635	NK1612R	NK1612H	NK1616R	NK1616H

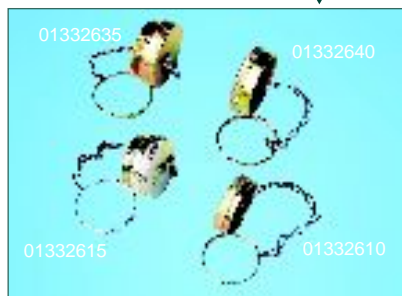


			BSPIT	( )	( / )	( )	( )	SW	( )	
147 85 110	1/2" BSPIT	-	PP-300B-045L	1/2"	300	45	66	38	27	147 85 334
147 85 115	1/2" BSPIT	-	PP-300B-045L	1/2"	300	45	44	27	27	147 85 336
147 85 262	3/4" BSPIT	-	PP-250B-175L	3/4"	250	175	82	48	38	147 85 286
147 85 250	3/4" BSPIT	-	PP-250B-175L	3/4"	250	175	56	36	36	147 85 274
147 85 316	1" BSPIT	-	PP-230B-300L	1"	230	300	98	52	41	147 85 330
147 85 304	1" BSPIT	-	PP-230B-300L	1"	230	300	66	41	41	147 85 328



013 32 610	-	SW-280B-160L
013 32 615	-	SW -280B-160L
013 32 500		SW -280B-160L
013 32 620		SW -280B-160L
147 85 406		SW -280B-160L
013 32 640		SW-250B-190
013 32 635		SW -250B-190L
013 32 569		SW -250B-190L
013 32 645		SW -250B-190L
147 85 405		SW -250B-190L

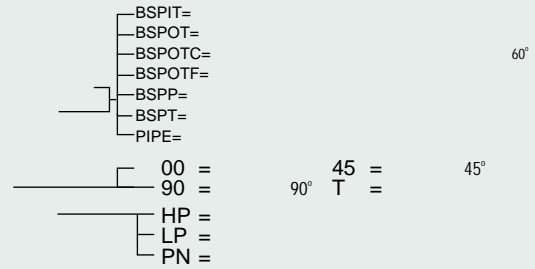
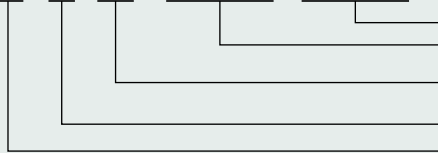
147 85 334	-	147 85 110
147 85 336	-	147 85 115
147 85 286	-	147 85 262
147 85 274	-	147 85 250
147 85 330	-	147 85 316
147 85 328	-	147 85 304



Hyva

Hyva.

HP - 00 - SW - 1¼" BSPOT - 1¼" BSPIT



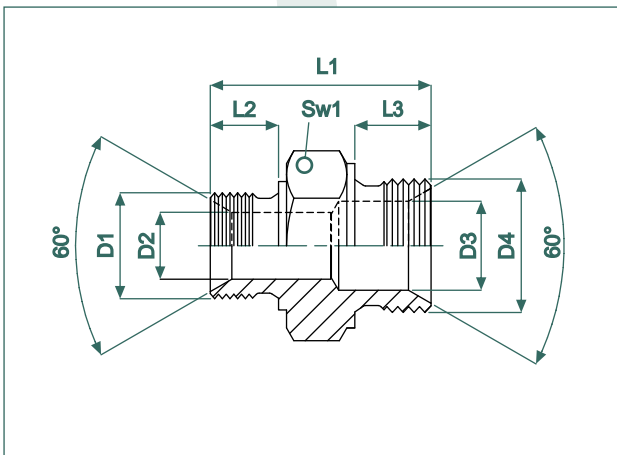
## BSPOT - BSPOT

		L1 ( )	L2 ( )	L3 ( )	D1 (")	D2 ( )	D3 ( )	D4 (")	Sw1 ( )
013 17 690	HP - 00 - 3/8" BSPOTC- 3/8" BSPOTC	34	11	11	3/8"	9,5	9,5	3/8"	22
013 17 805	HP - 00 - 3/8" BSPOTC- 1/2" BSPOTC	39	13	16	3/8"	8,5	11,0	1/2"	27
013 17 700	HP - 00 - 3/8" BSPOTC- 3/4" BSPOTC	42	13	16	3/8"	8,0	16,5	3/4"	32
012 21 838	HP - 00 - 1/2" BSPOTC- 1/2" BSPOTC	42	16	16	1/2"	11,0	11,0	1/2"	27
013 17 714	HP - 00 - 1/2" BSPOTC- 3/4" BSPOTC	45	16	18	1/2"	11,0	16,5	3/4"	32
012 22 661	HP - 00 - 3/4" BSPOTC- 3/4" BSPOTC	47	18	18	3/4"	16,0	16,0	3/4"	32
147 99 080	HP - 00 - 3/4" BSPOTC- 1" BSPOTC	49	18	18	3/4"	17,0	22,0	1"	41
013 17 933	HP - 00 - 1" BSPOTC - 1" BSPOTC	49	19	19	1"	22,0	22,0	1"	41
012 22 107	HP - 00 - 1" BSPOTC - 1¼" BSPOTC	51	19	20	1"	22,0	29,5	1¼"	50
147 99 093	HP - 00 - 1¼" BSPOTC- 1¼" BSPOTC	53	20	20	1"	30,0	30,0	1¼"	50

HP - 00 - 3/8" BSPOTC- 3/8" BSPOTC -

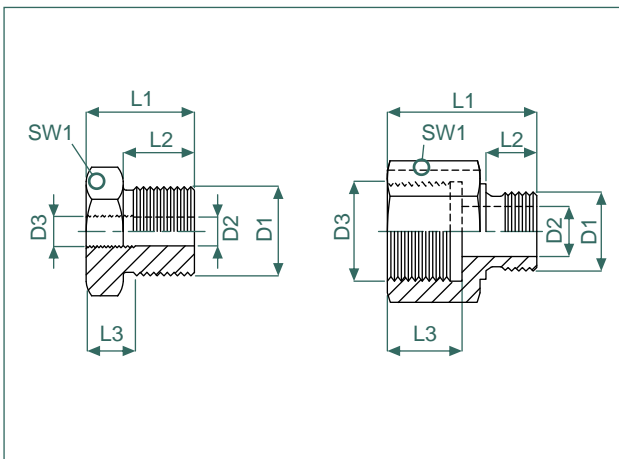
3/8"

60°



## BSPOT - BSPIT

		L1 ( )	L2 ( )	L3 ( )	D1 (")	D2 ( )	D3 (")	Sw1 ( )
149 58 010	HP - 00 - 1/2" BSPOT- 1/4" BSPIT	24	14	10	1/2"	12	1/4"	27
149 58 000	HP - 00 - 3/4" BSPOT- 3/8" BSPIT	26	15	13	3/4"	15	3/8"	32
149 58 112	HP - 00 - 3/4" BSPOT- 1/2" BSPIT	26	15	13	3/4"	16	1/2"	32
149 58 095	HP - 00 - 1" BSPOT- 1/4" BSPIT	29	18	13	1"	11,5	1/4"	41
149 58 100	HP - 00 - 1" BSPOT- 1/2" BSPIT	29	18	17	1"	19	1/2"	41
149 58 102	HP - 00 - 1" BSPOT- 3/4" BSPIT	49	19	21	1"	30	3/4"	41
149 58 120	HP - 00 - 1 1/4" BSPOT- 1" BSPIT	52	20	24	1 1/4"	25	1"	50



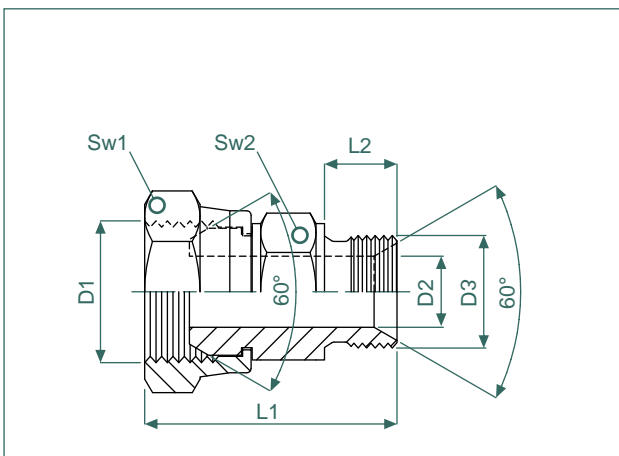
HP - 00 - 1/2" BSPOT- 1/4" BSPIT-

1/4"

1/2" -

## BSPIT - BSPOT

		L1 ( )	L2 ( )	D1 (")	D2 ( )	D3 (")	Sw1 ( )	Sw2 ( )
012 23 650	HP - 00 - SW - 3/4" BSPIT- 1/2" BSPOTC	49	15	3/4"	11	1/2"	27	32
012 22 909	HP - 00 - SW - 3/4" BSPIT- 3/4" BSPOTC	51	17	3/4"	17	3/4"	32	32
012 23 677	HP - 00 - SW - 1" BSPIT- 3/4" BSPOTC	53	18	1"	17	3/4"	41	32
147 99 108	HP - 00 - SW - 1" BSPIT- 1" BSPOTC	56	19	1"	22	1"	41	41



HP - 00 - SW - 3/4" BSPIT- 1/2" BSPOTC-

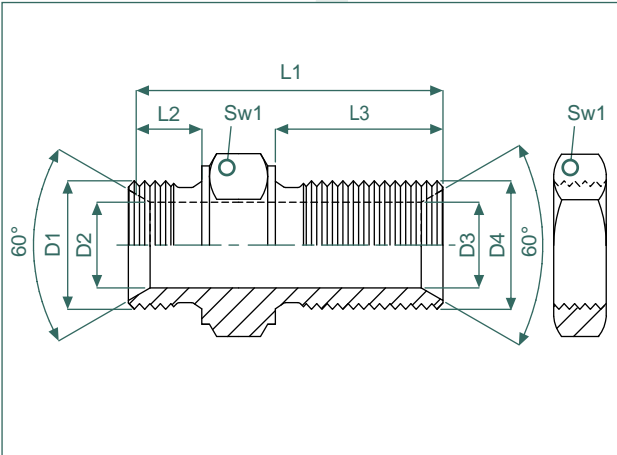
3/4" -

1/2"

60°

## BSPOT - BSPOT

		L1 ( )	L2 ( )	L3 ( )	D1 (")	D2 ( )	D3 ( )	D4 (")	Sw1 ( )
149 50 180	HP - 00 - 3/4" BSPOTC- 3/4" BSPOTC - BH	65	16	38	3/4"	16	16	3/4"	32
149 50 181	HP - 00 - 1" BSPOTC- 1" BSPOTC - BH	73	18	43	1"	22	22	1"	41
013 17 946	HP - 00 - 1" BSPOTC- 1" BSPOTC - BH	85	19	50	1"	22	22	1"	41
149 50 182	HP - 00 - 1 1/4" BSPOTC- 1 1/4" BSPOTC - BH	74	20	40	1 1/4"	29	19	1 1/4"	52

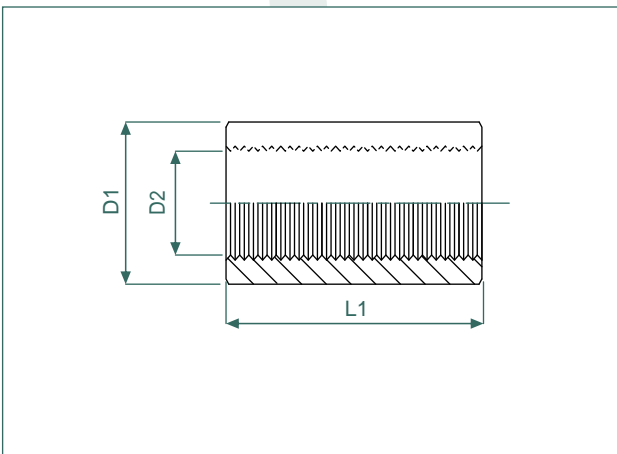


HP - 00 - 3/4" BSPOTC- 3/4" BSPOTC - BH -

60° - 3/4" 60° -

## BSPIT

		L1 ( )	D1 ( )	D2 (")
092 23 002	HP - 00 - 1" BSPIT - 1" BSPIT - L=25	25	45	1"
092 23 003	HP - 00 - 1" BSPIT - 1" BSPIT - L=70	70	45	1"
092 23 010	HP - 00 - 3/4" BSPIT - 3/4" BSPIT - L=37	37	32	3/4"



HP - 00 - 1/2" BSPOT- 1/4" BSPIT- L=25 -

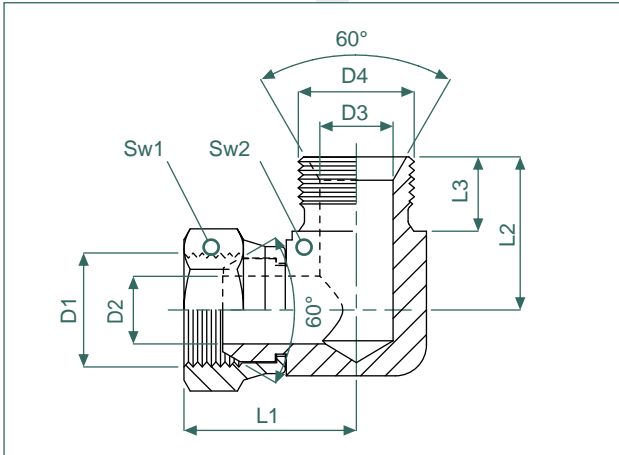
1/4", 25 - ?" -



90

**BSPIT - BSPOT**

		L1 ( )	L2 ( )	L3 ( )	D1 (")	D2 ( )	D3 ( )	D4 (")	Sw1 ( )	Sw2 ( )
013 17 971	HP - 90 - SW - 1/2" BSPIT- 1/2" BSPOTC	35	36	16	1/2"	10	11	1/2"	27	24
013 17 969	HP - 90 - SW - 3/4" BSPIT- 3/4" BSPOTC	40	37	17	3/4"	17	17	3/4"	32	27
147 99 054	HP - 90 - SW - 1" BSPIT- 3/4" BSPOTC	45	40	17	1"	22	17	3/4"	41	35
013 17 982	HP - 90 - SW - 1" BSPIT- 1" BSPOTC	45	43	18	1"	22	22	1"	41	35

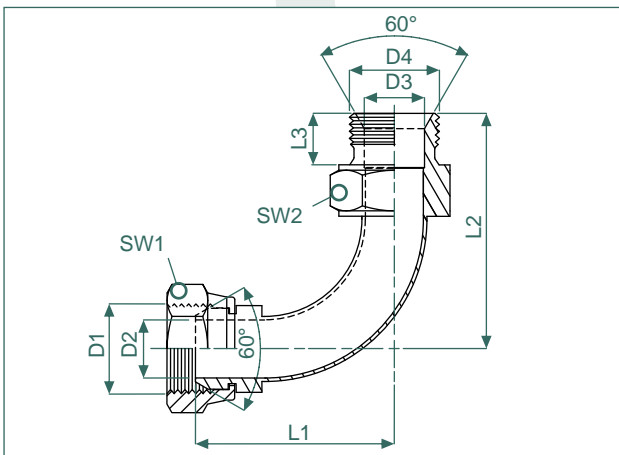


HP - 90 - SW - 1/2" BSPIT- 1/2" BSPOTC -

1/2" - 90° - 1/2"

**BSPIT - BSPOT**

		L1 ( )	L2 ( )	L3 ( )	D1 (")	D2 ( )	D3 ( )	D4 (")	Sw1 ( )	Sw2 ( )
013 17 962	HP - 90 - SW - 3/8" BSPIT- 3/8" BSPOTC - EL	35	58	13	3/8"	8	9	3/8"	22	22
013 17 970	HP - 90 - SW - 1/2" BSPIT- 1/2" BSPOTC - EL	52	50	14	1/2"	10	13	1/2"	27	27
013 17 973	HP - 90 - SW - 3/4" BSPIT- 3/4" BSPOTC - EL	57	65	18	3/4"	16	16	3/4"	32	32
013 17 974	HP - 90 - SW - 1" BSPIT- 1" BSPOTC - EL	73	73	19	1"	21	21	1"	41	41

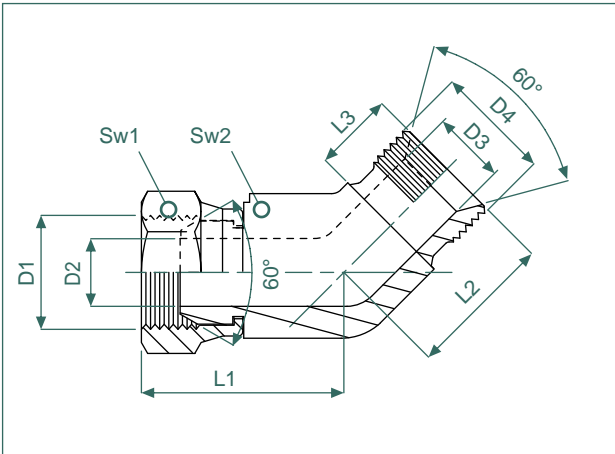


HP - 90 - SW - 3/8" BSPIT- 3/8" BSPOTC - EL -

3/8" - 90° - 3/8"

## 45 BSPIT - BSPOT

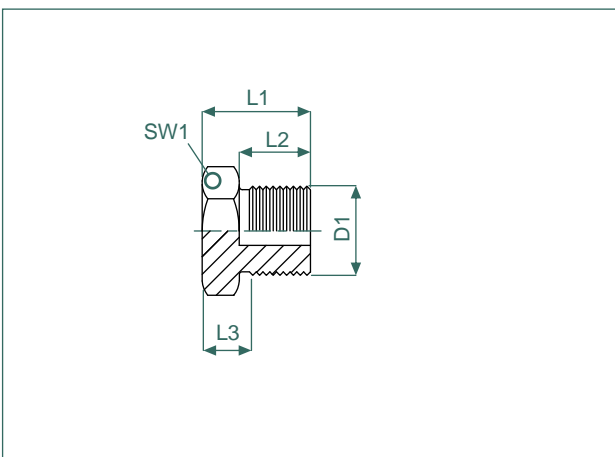
		L1 ( )	L2 ( )	L3 ( )	D1 (")	D2 ( )	D3 ( )	D4 (")	Sw1 ( )	Sw2 ( )
013 18 410	HP - 45 - SW - 3/4" BSPIT- 3/4" BSPOTC	38	28	15	1/2"	15	15	1/2"	32	32
013 17 815	HP - 45 - SW - 1" BSPIT- 1" BSPOTC	44	37	24	1"	22	22	1"	41	35



HP - 45 - SW - 3/4" BSPIT- 3/4" BSPOTC -

60°, 3/4", 45° 3/4"

		L1 ( )	L2 ( )	L3 ( )	D1 ( )	Sw1 ( )	( )
147 99 175	HP - 00 - 1/2" BSPOT - PT	10	10	-	1/2"	-	10
147 99 180	HP - 00 - 1/2" BSPOT -	18	13	8	1/2"	-	10
017 02 838	HP - 00 - 1/2" BSPOT -	27	12	17	1/2"	27	-
017 02 841	HP - 00 - 3/4" BSPOT -	28	18	15	3/4"	32	-
017 02 853	HP - 00 - 1" BSPOT -	30	19	16	1"	41	-
147 99 190	HP - 00 - 1" BSPOT -	21	16	9	1"	-	17
017 02 856	HP - 00 - 1 1/4" BSPOT -	32	20	17	1 1/4"	20	-



HP - 00 - 1/2" BSPOT - plug allen PT-valve -

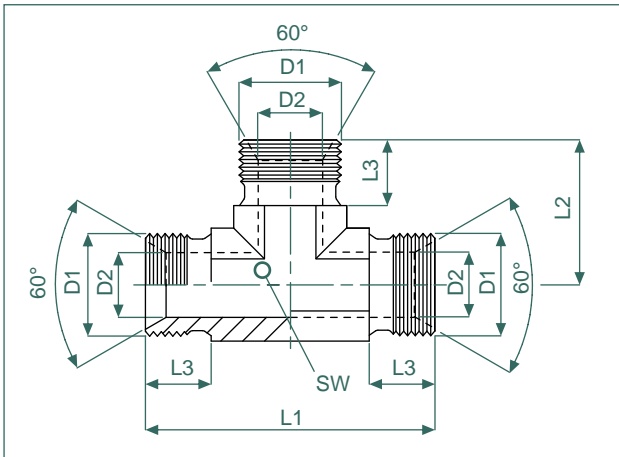
1/2",

HP - 00 - 1/2" BSPOT - plug allen -

1/2"

## BSPOT

		L1 ( )	L2 ( )	L3 ( )	D1 (")	D2 ( )	Sw1 ( )
013 18 292	HP - T - 3/8" BSPOTC (3x)	52	26	11	3/8	8	17
013 18 295	HP - T - 1/2" BSPOTC (3x)	74	37	19	1/2	12	22
013 18 300	HP - T - 3/4" BSPOTC (3x)	80	40	17	3/4	16	27
013 18 310	HP - T - 1" BSPOTC (3x)	90	44	22	1	22	36



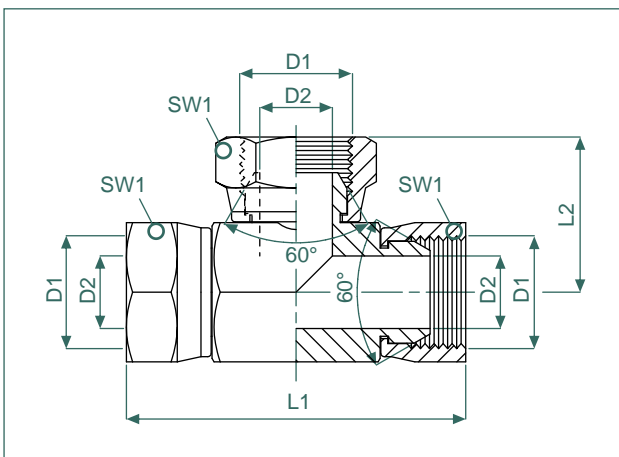
HP - T - 3/8" BSPOTC (3x) -

60° (3 ) .

3/8"

## BSPIT

		L1 ( )	L2 ( )	L3 ( )	D1 (")	D2 ( )	Sw1 ( )
013 18 240	HP - T - SW - 3/4" BSPIT (3x)	80	40	17	3/4"	16	27
013 18 251	HP - T - SW - 1" BSPIT (3x)	90	44	22	1"	22	36

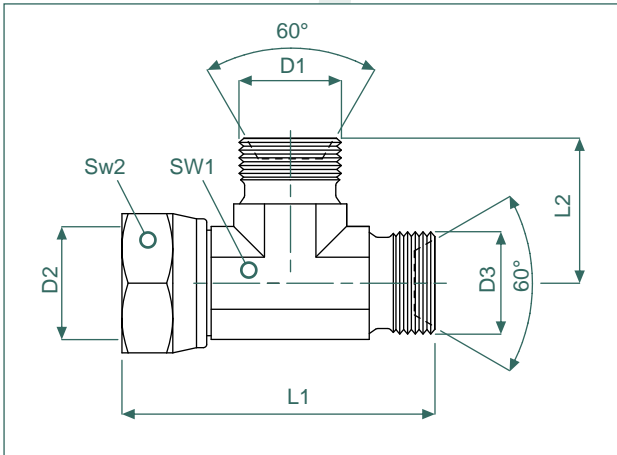


HP - T - SW - 1" BSPIT (3x) -

3/4",  
60° (3 ) .

## BSPIT - BSPOT

		L1 ( )	L2 ( )	D1 (")	D2 (")	D3 (")	Sw1 ( )	Sw2 ( )
013 18 303	HP - T - SW - 3/4" BSPIT - 3/4" BSPOT (2x)	88	40	3/4" BSPOT	3/4" BSPIT	3/4" BSPOT	27	32
013 18 195	HP - T - SW - 1" BSPIT - 1" BSPOT (2x)	90	48	1" BSPIT	1" BSPOT	1" BSPOT	36	41
013 18 253	HP - T - SW - 1" BSPIT - 1" BSPOT (2x)	94	44	1" BSPOT	1" BSPIT	1" BSPOT	36	41



HP - T - SW - 3/4" BSPIT - 3/4" BSPOT (2x) -

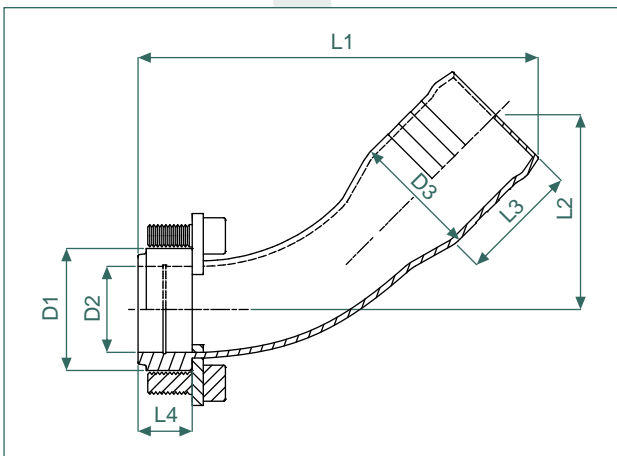
3/4"

3/4"

60° (2 )

## 45 BSPIT - BSPOT ( )

		L1 ( )	L2 ( )	L3 ( )	L4 ( )	D1 ( )	D2 ( )	D3 ( )
145 35 300	LP 28 - 45	143	70	43	19.5	43.9	31	45
145 35 305	LP 32 - 45	153	80	37	19.5	43.9	31	51

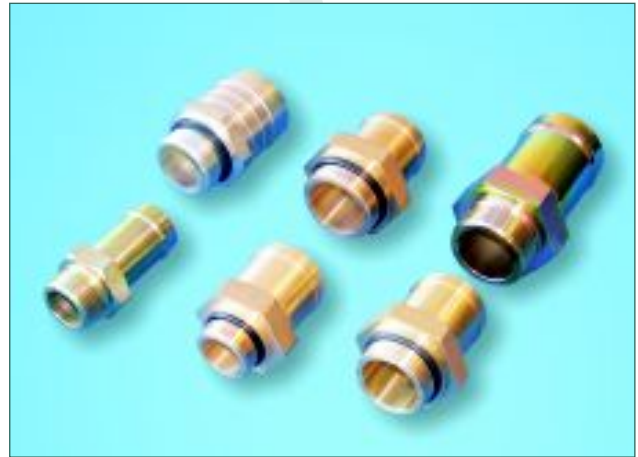
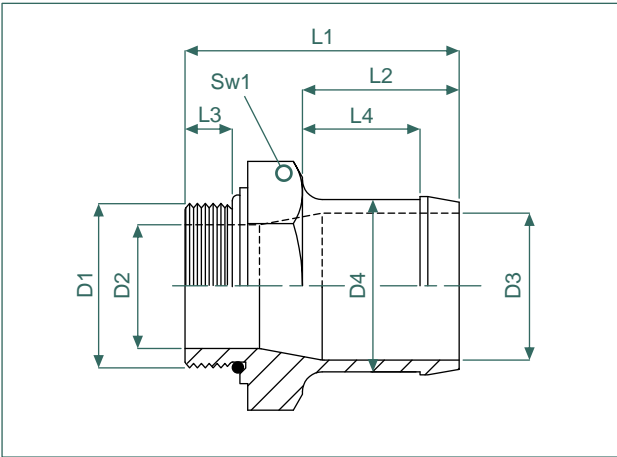


LP 28 - 45 -

28 -

45 .

		L1 ( )	L2 ( )	L3 ( )	L4 ( )	D1 (")	D2 ( )	D3 ( )	D4 ( )	Sw1 ( )
145 00 589	LP 20 - 00 - 1" BSPOT	82	48	17	36	1"	23	26	32	41
147 99 000	LP 28 - 00 - 1" BSPOT	72	40	11	30	1"	23	38	44	50
147 99 005	LP 28 - 00 - 1¼" BSPOT	72	40	11	30	1¼"	32	38	44	55
147 99 015	LP 28 - 00 - 1½" BSPOT	72	40	11	30	1½"	36	38	44	60
145 35 328	LP 32 - 00 - 1¼" BSPOT	79	45	19	27	1¼"	32	44	51	55
145 00 492	LP 32 - 00 - 1½" BSPOT	111	65	21	45	1½"	36	48	51	60



LP 20 - 00 - 1" BSPOT -

20 -

1".

## 90

012 26 165	1"-	-	-	3,53 50	147 99 000
012 26 185	1¼"-	-	-	3,53 50	147 99 005
012 26 195	1½"-	-	-	3,53 50	147 99 015
012 26 650	1½"-	-	-	3,53 70	147 99 038

017 02 830	1"-	-	-	3,53 70	147 99 020
017 02 870	1¼"-	-	-	3,53 70	147 99 025
012 25 650	1½"-	-	-	3,53 70	147 99 050 & 147 99 035 & 147 99 036

)

)

## 90

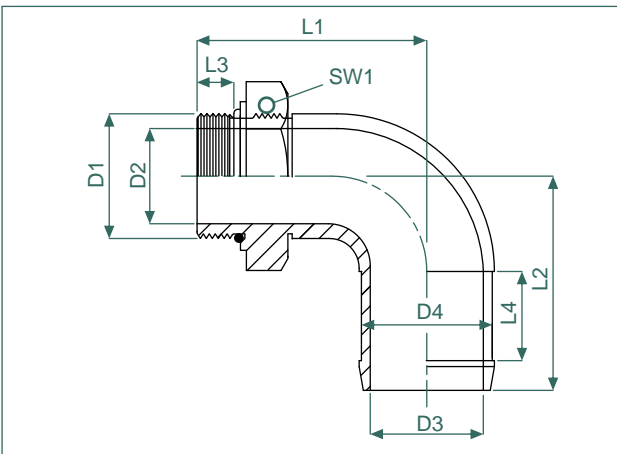
		L1 ( )	L2 ( )	L3 ( )	L4 ( )	D1 (")	D2 ( )	D3 ( )	D4 ( )	Sw1 ( )
147 99 020	LP 28 - 90 - 1" BSPOT	77	80	11	30	1"	23	38	44	50
147 99 025	LP 28 - 90 - 1¼" BSPOT	77	77	11	30	1¼"	32	38	44	55
147 99 050	LP 28 - 90 - 1½" BSPOT	77	75	11	30	1½"	38	38	44	60

LP 28 - 90 - 1" BSPOT -

1".

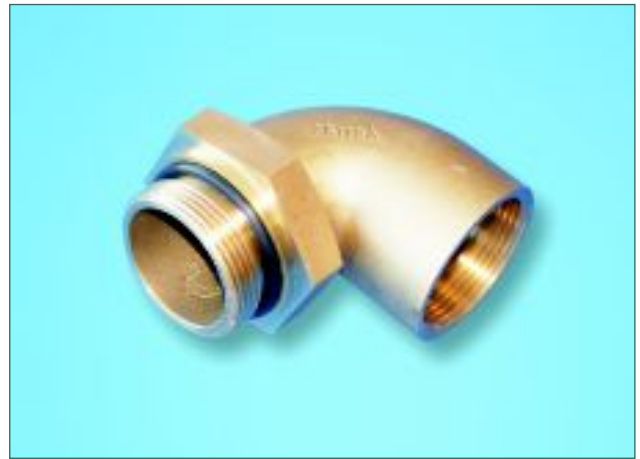
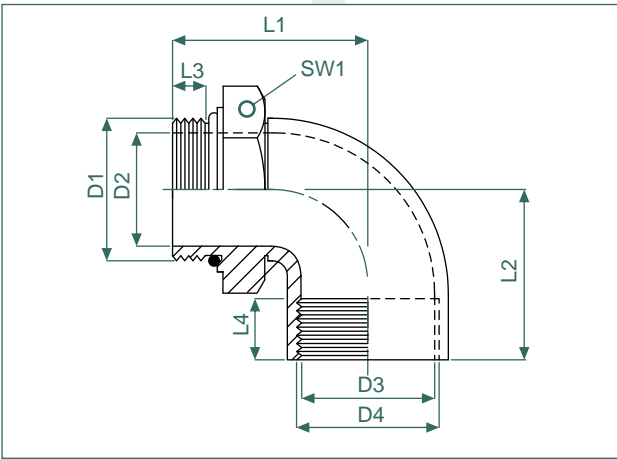
28

90



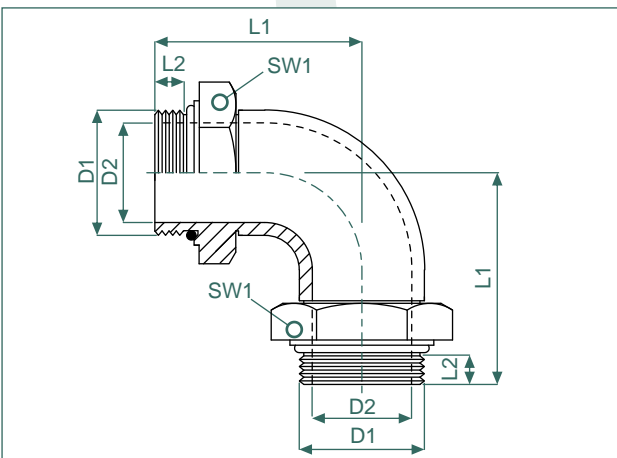
## 90 BSPIT - BSPOT

		L1 ( )	L2 ( )	L3 ( )	L4 ( )	D1 (")	D2 ( )	D3 ( )	D4 (m )	Sw1 ( )
147 99 035	LP - 90 - 1½" BSPIT - 1½" BSPOT	66	62	11	20	1½"	38	45	1½"	60



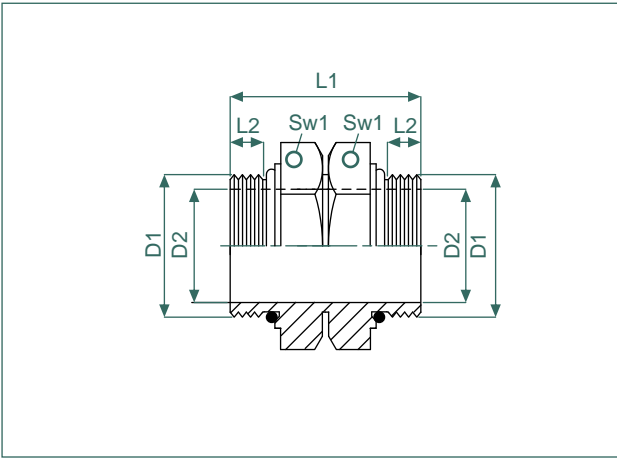
## 90 BSPOT - BSPOT

		L1 ( )	L2 ( )	D1 (")	D2 ( )	Sw1 ( )
147 99 036	LP - 90 - 1½" BSPOT - 1½" BSPOT	70	15	1½"	38	60

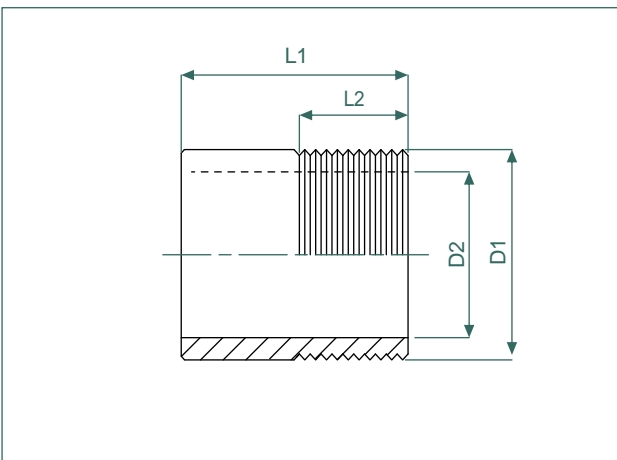


## BSPOT - BSPOT

		L1 ( )	L2 ( )	D1 (")	D2 ( )	Sw1 ( )
147 99 038	LP -90- 1½" BSPOT- 1½" BSPOT	66	12	1½"	38	60



		L1 ( )	L2 ( )	D1 (")	D2 ( )
012 22 612	LP -00- 1¼" BCPOT- WELD- L= 50	50	22	1¼"	36
012 22 613	LP -00- 1½" BCPOT- WELD- L= 73	73	26	1½"	42



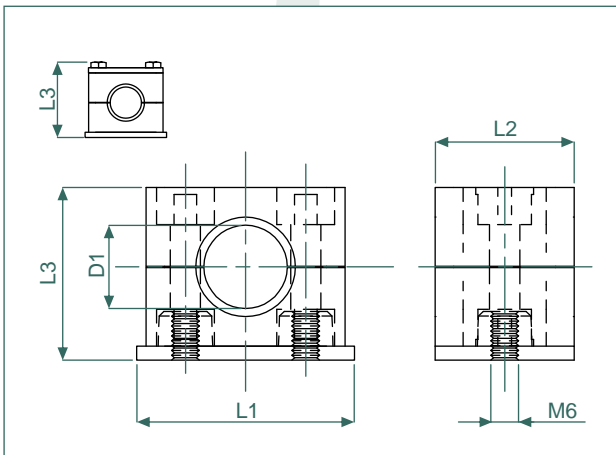
# Hyva

				( )	
092 29 030	12	1,5	- ST37.4 - DIN2445/2 ZP	360	
092 29 000	15	1,5	- ST37.4 - DIN2445/2 ZP	280	
092 29 018	20	2,5	- ST37.4 - DIN2445/2 BL	360	
092 29 052	22	2,0	- ST37.4 - DIN2445/2 ZP	250	
092 29 060	25	2,5	- ST37.4 - DIN2445/2	280	

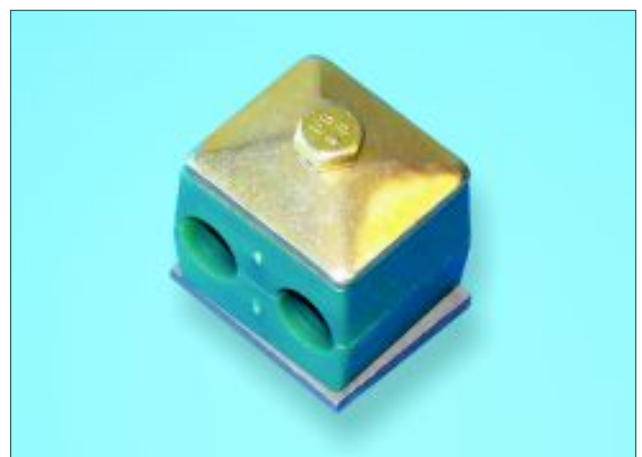
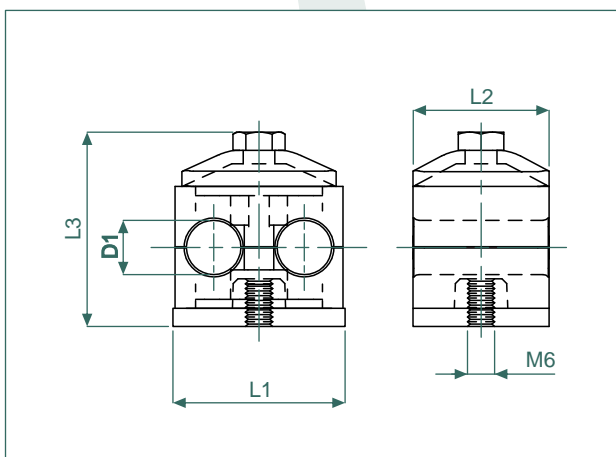
6 .



		L1 ( )	L2 ( )	L3 ( )	D1 ( )
149 59 008	12	42	30	30	12
149 59 010	15	48	30	37	15
149 59 016	18	48	30	37	18
149 59 018	20	50	30	45	20
149 59 020	22	50	30	45	22
149 59 026	25	50	30	45	25



		L1 ( )	L2 ( )	L3 ( )	D1 ( )
149 59 110	12	37	35	41	12
149 59 120	15	56	35	41	15
149 59 150	22	70	30	55	22





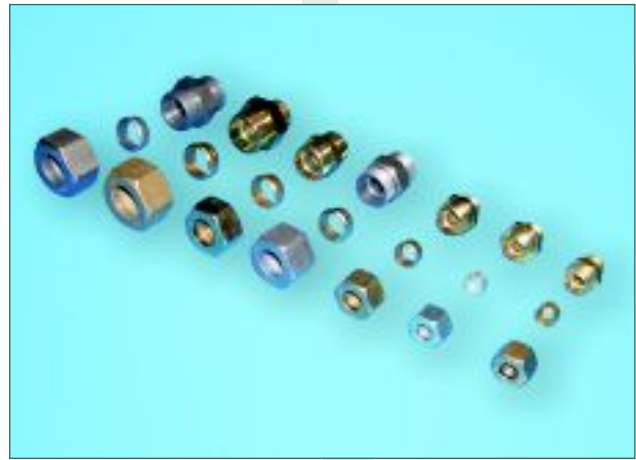
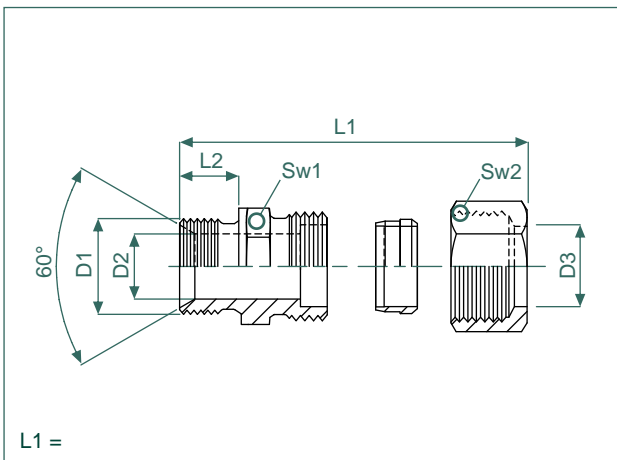
## BSPOTC -

		L1 ( )	L2 ( )	D1 (")	D2 ( )	D3 ( )	Sw1 ( )	Sw2 ( )
149 50 505	HP - 00 - 3/8" BSPOTC - pipe 12L	42	12	3/8	9	12.15	22	22
149 51 100	HP - 00 - 1/2" BSPOTC - pipe 12L	45	14	1/2	9	12.15	27	22
149 51 150	HP - 00 - 1/2" BSPOTC - pipe 15L	48	14	1/2	11	15.15	27	27
149 50 742	HP - 00 - 3/4" BSPOTC - pipe 20S	62	16	3/4	16	20.15	32	36
149 50 752	HP - 00 - 3/4" BSPOTC - pipe 22L	54	16	3/4	18	22.15	32	36
149 50 635	HP - 00 - 3/4" BSPOTC - pipe 25S	67	16	3/4	16	25.15	41	46
149 50 761	HP - 00 - 1" BSPOTC - pipe 25S	69	18	1	20	25.15	41	46

HP - 00 - 3/8" BSPOTC - pipe 12L -

60 - 12L.

, 3/8"



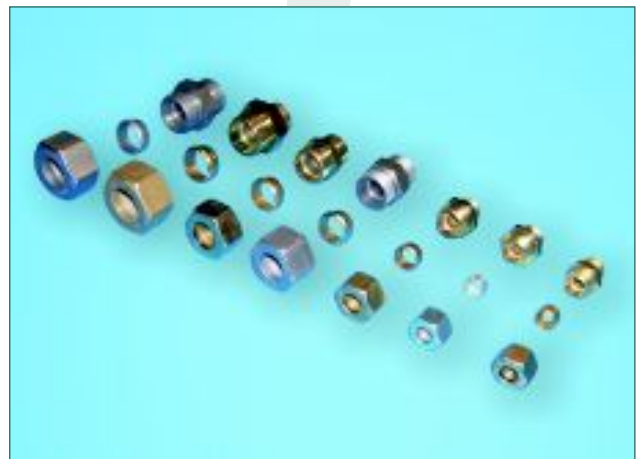
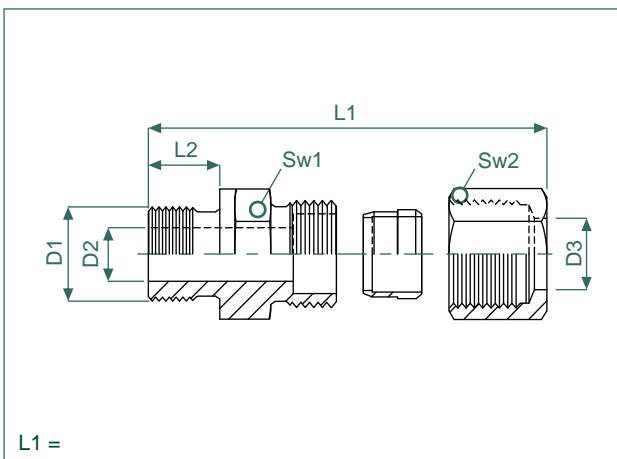
## BSPOT -

		L1 ( )	L2 ( )	D1 (")	D2 ( )	D3 ( )	Sw1 ( )	Sw2 ( )
149 50 530	HP - 00 - 3/8" BSPOT - pipe 12L	42	12	3/8	9	12.15	22	22
149 50 540	HP - 00 - 1/2" BSPOT - pipe 12L	45	14	1/2	9	12.15	27	22
149 50 610	HP - 00 - 1/2" BSPOT - pipe 15L	48	14	1/2	11	15.15	27	27
149 50 740	HP - 00 - 3/4" BSPOT - pipe 20S	62	16	3/4	16	20.15	32	36
149 50 750	HP - 00 - 3/4" BSPOT - pipe 22L	54	16	3/4	18	22.15	32	36
149 50 756	HP - 00 - 3/4" BSPOT - pipe 25S	67	16	3/4	16	25.15	41	46
149 50 760	HP - 00 - 1" BSPOT - pipe 25S	69	18	1	20	25.15	41	46

HP - 00 - 3/8" BSPOT - pipe 12L -

12L.

, 3/8" -

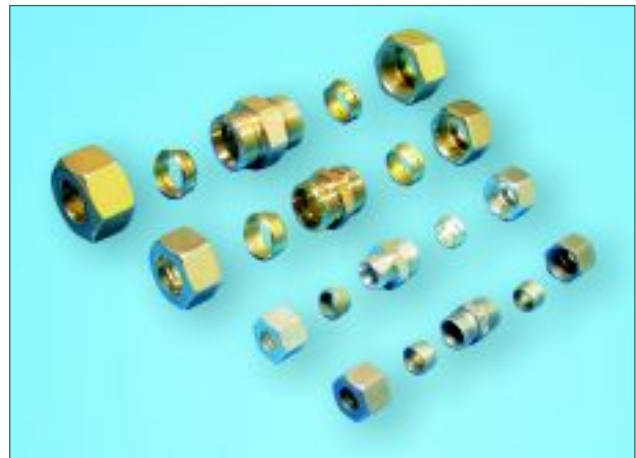
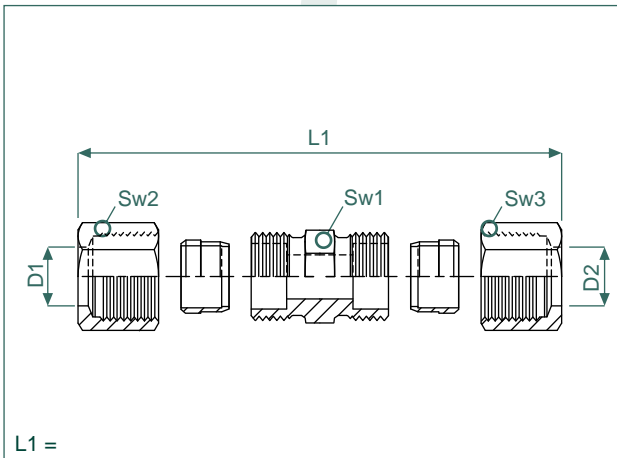


( - )

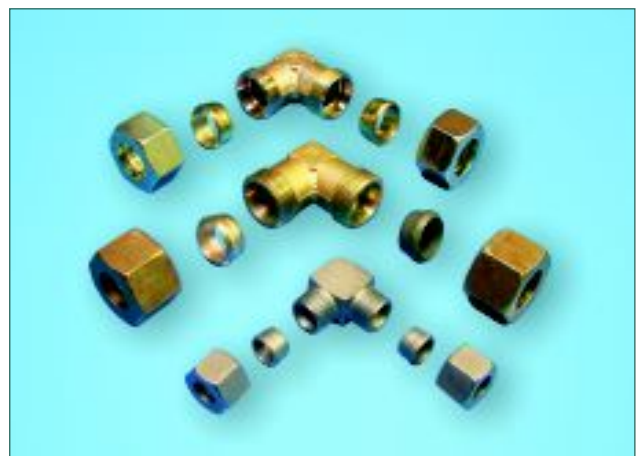
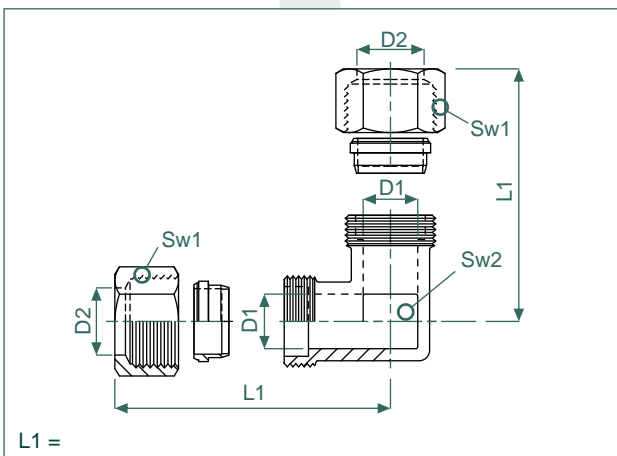
		L1 ( )	D1 ( )	D2 ( )	Sw1 ( )	Sw2 ( )	Sw3 ( )
149 50 050	HP - 00 - pipe 12L - pipe 12L	48	12.15	12.15	19	22	22
149 50 300	HP - 00 - pipe 12L - pipe 15L	48	12.15	15.15	24	22	27
149 50 060	HP - 00 - pipe 15L - pipe 15L	48	15.15	15.15	24	27	27
149 50 075	HP - 00 - pipe 20S - pipe 20S	66	20.15	20.15	32	36	36
149 50 080	HP - 00 - pipe 22L - pipe 22L	63	22.15	22.15	32	36	36
149 50 090	HP - 00 - pipe 25S - pipe 25S	80	25.15	25.15	41	46	46

HP - 00 - pipe 12L - pipe 12L -

12L - 12L

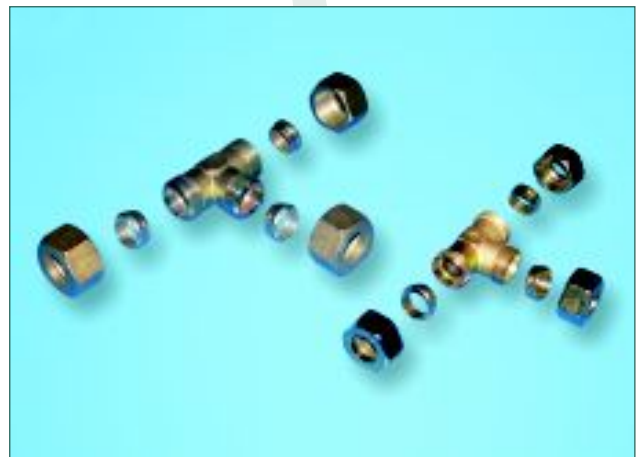
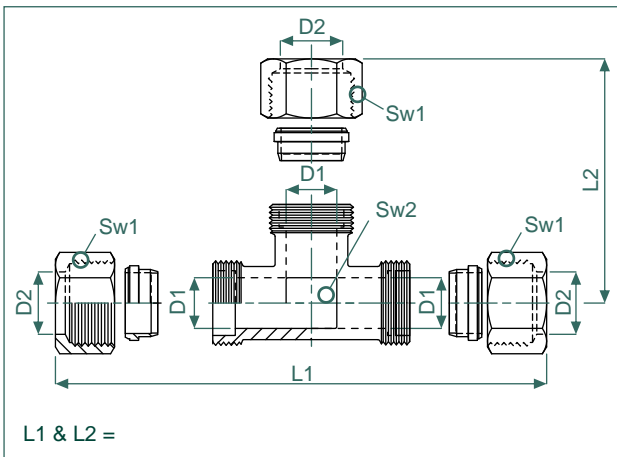


		L1 ( )	D1 ( )	D2 ( )	Sw1 ( )	Sw2 ( )
149 54 220	HP - 90 - 12L - 12L	35	10	12.15	22	19
149 54 240	HP - 90 - 15L - 15L	36	11	15.15	27	19
149 54 278	HP - 90 - 90 20S - 20S	48	19	20.15	36	27
149 54 280	HP - 90 - 22L - 22L	48	19	22.15	36	27
149 54 285	HP - 90 - 25S - 25S	54	20	25.15	36	46

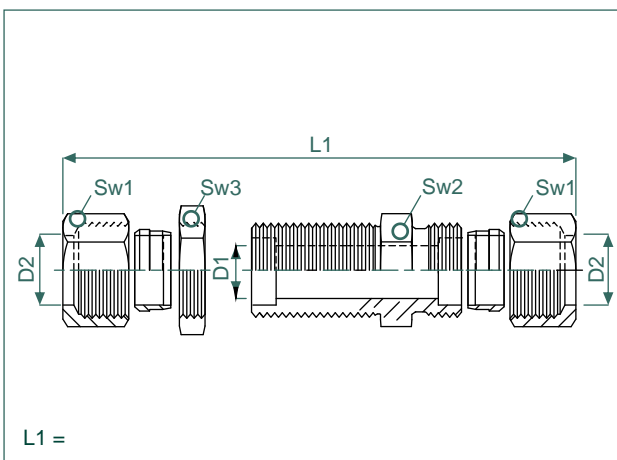


## T

		L1 ( )	L2 ( )	D1 ( )	D2 ( )	Sw1 ( )	Sw2 ( )
149 57 300	, 12L (3 )	70	35	10	12.15	22	19
149 57 330	, 15L (3 )	72	36	11	15.15	27	19
149 57 335	, 20S (3 )	104	52	16	20.15	36	27
149 57 340	, 22S (3 )	96	48	19	22.15	36	27
149 57 344	, 125S (3 )	117	60	20	25.15	46	36

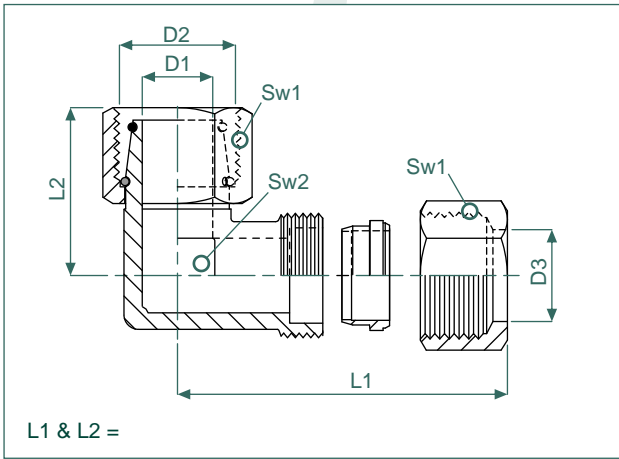


		L1 ( )	D1 ( )	D2 ( )	Sw1 ( )	Sw2 ( )	Sw3 ( )
149 50 190	HP-00- 20S - 20S -BH	102	16	20.15	36	41	41
149 50 200	HP-00- 22S - 22S -BH	94	19	22.15	36	36	41

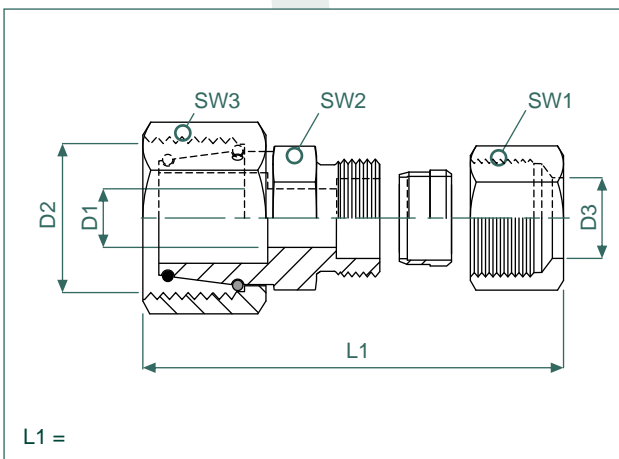


- 90

				L1 ( )	L2 ( )	D1 (")	D2 ( )	D3 ( )	Sw1 ( )	Sw2 ( )
149 56 500	HP- 90-SW-	12L-	12L	35	30	8	18x1.5	12.15	22	19
149 56 503	HP- 90-SW-	15L -	15L	36	32	10	22x1.5	15.15	27	19
149 56 510	HP- 90-SW-	20S -	20S	48	42	13	30x2	20.15	36	27
149 56 520	HP- 90-SW-	22L -	22L	48	40	17	30x2	22.15	36	27

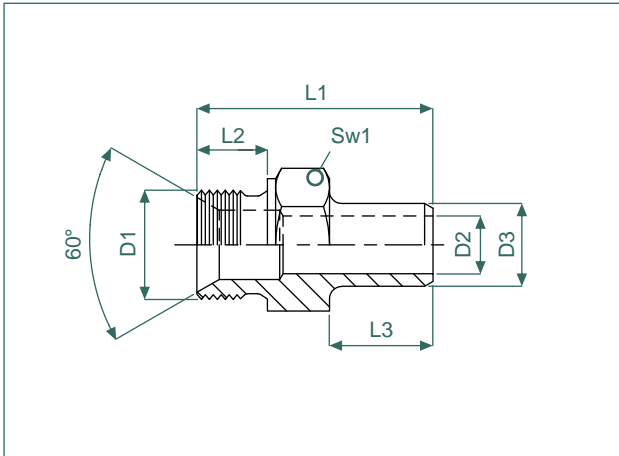


				L1 ( )	D1 (")	D2 ( )	D3 ( )	Sw1 ( )	Sw2 ( )	Sw3 ( )
149 42 010	HP-00-SW-	22L -	15L	52	16	30x2	15.15	27	27	36



## BSPOTC -

		L1 ( )	L2 ( )	L3 ( )	D1 ( )	D2 ( )	D3 ( )	Sw1	
149 50 640	HP-00- 3/4" BSPOTC-	57	17	25	3/4	14	20	32	.
149 50 635	HP-00- 3/4" BSPOTC-	62	17	30	3/4	16.5	25	32	.

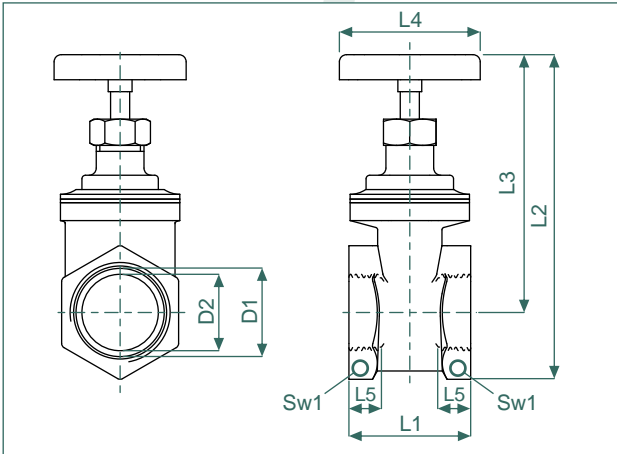


012 06 801	1/8"
012 06 813	1/4"
012 06 825	3/8"
012 06 837	1/2"
012 06 849	5/8"
012 06 850	3/4"
013 13 848	1"
012 06 874	1 1/4"
012 06 898	1 1/2"
012 51 685	1 3/4"



## 1 1/4" BSPIT

				L1 ( )	L2 ( )	L3 ( )	L4 ( )	L5 ( )	D1 (")	D2 ( )	Sw1 ( )
147 80 914	1 1/4"	LP -	1 1/4"	51	136	108	59	12	1 1/4	32	49



## 1 1/2" BSPIT

				L1 ( )	L2 ( )	L3 ( )	L4 ( )	D1 (")	D2 ( )	D3 (")	D4 ( )	Sw1 ( )
147 80 980	1 1/2"	LP-	1 1/2"	142	74	80	13	1 1/2	36	1 1/2	63	53

